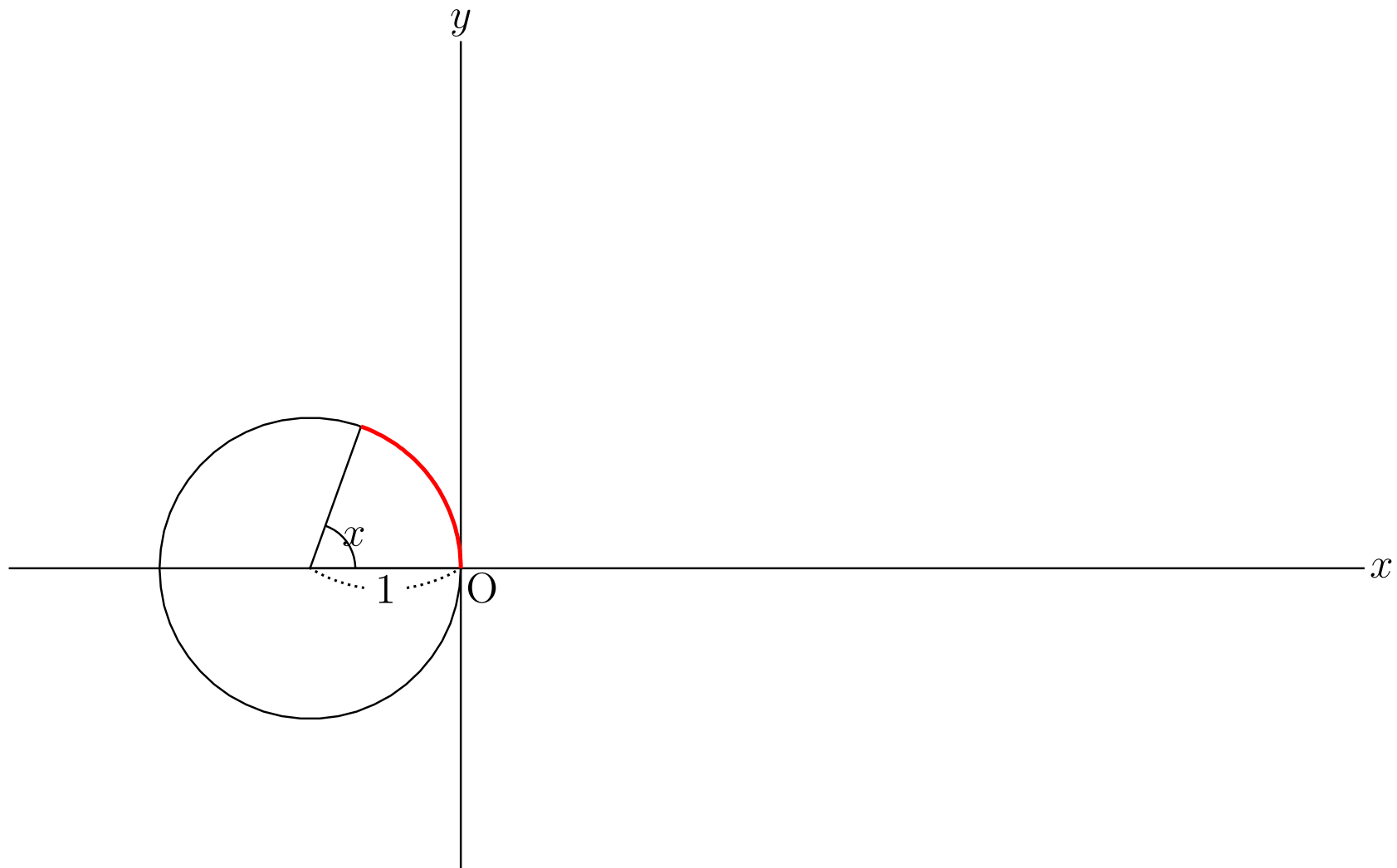
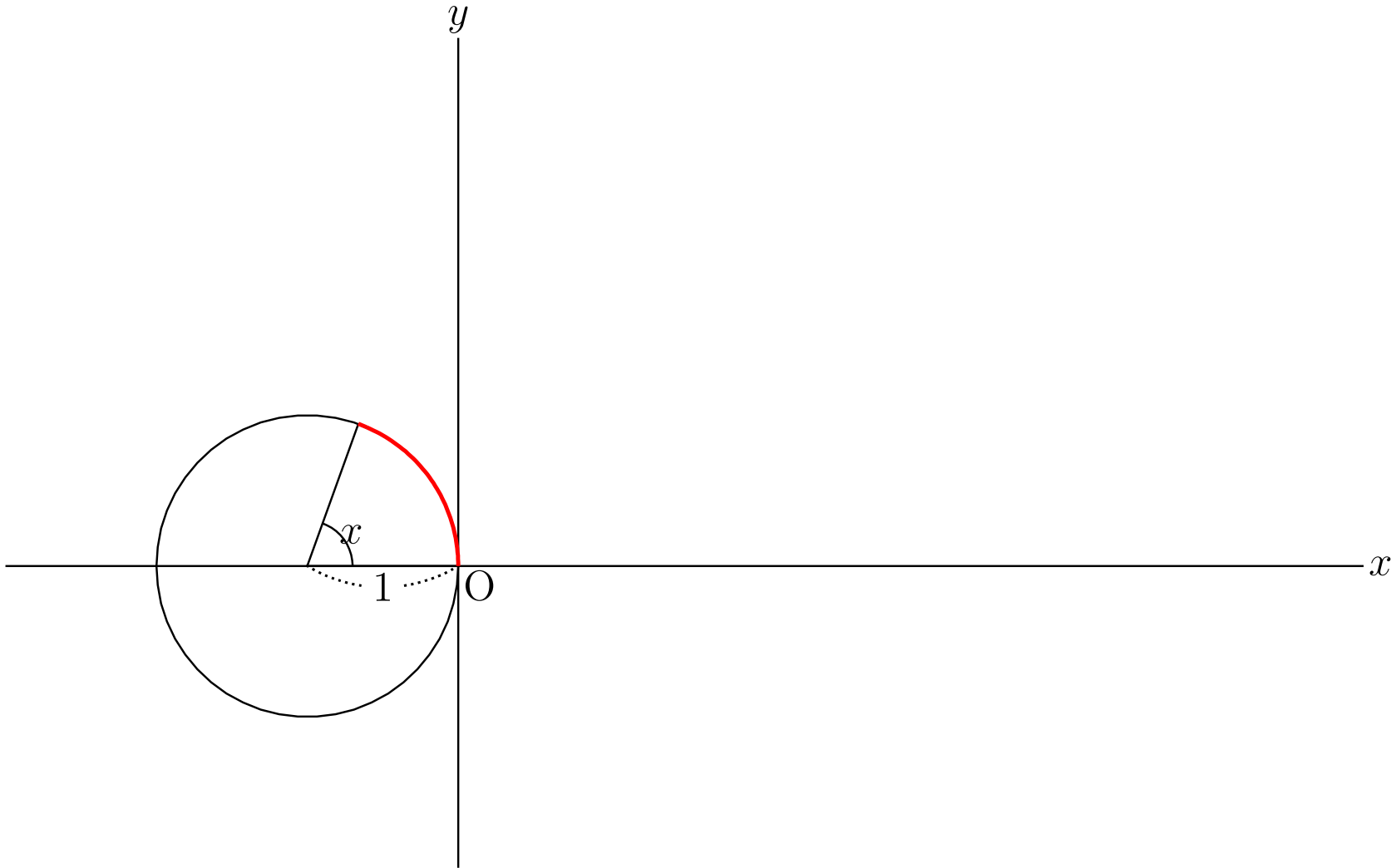


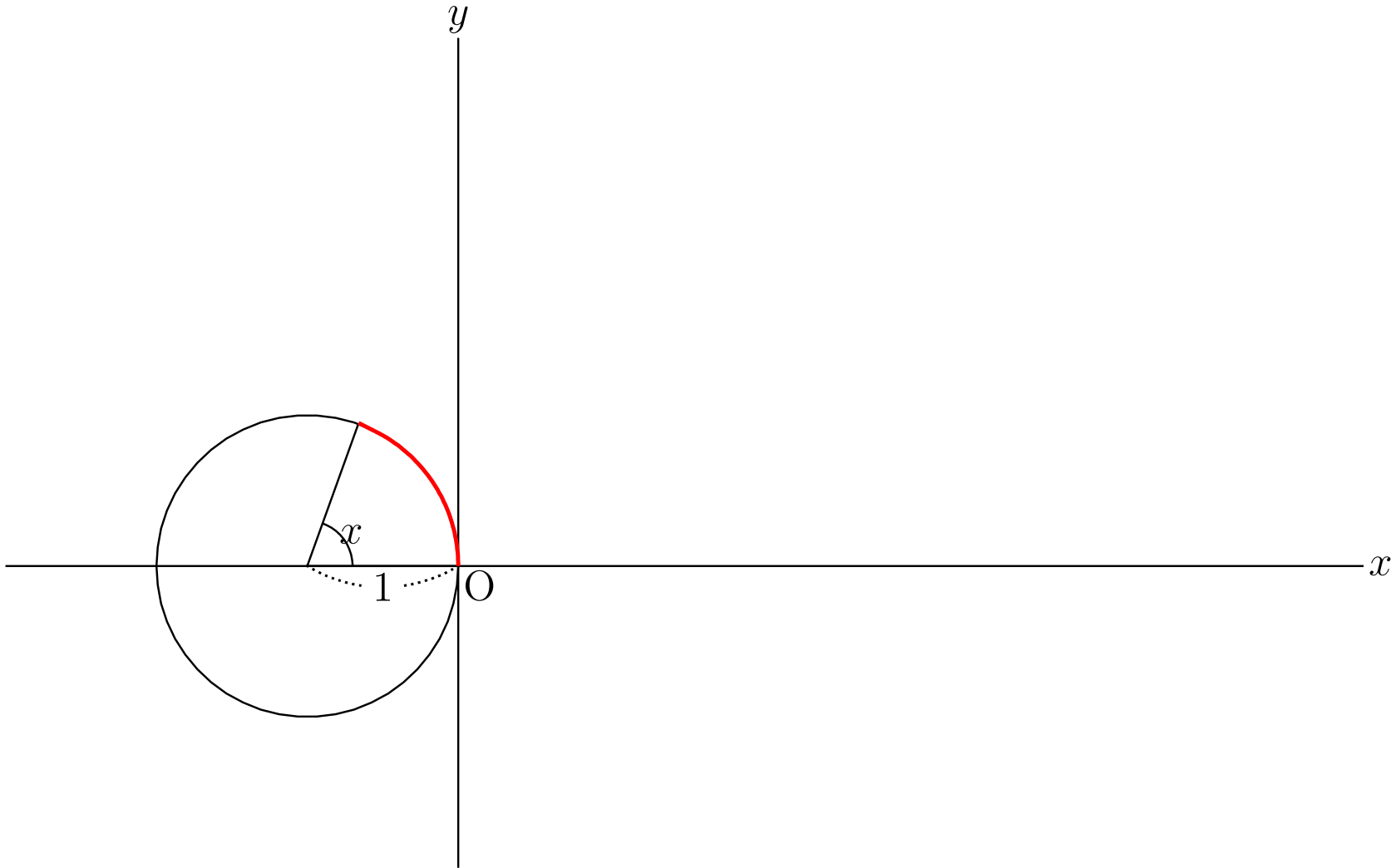
drawsine



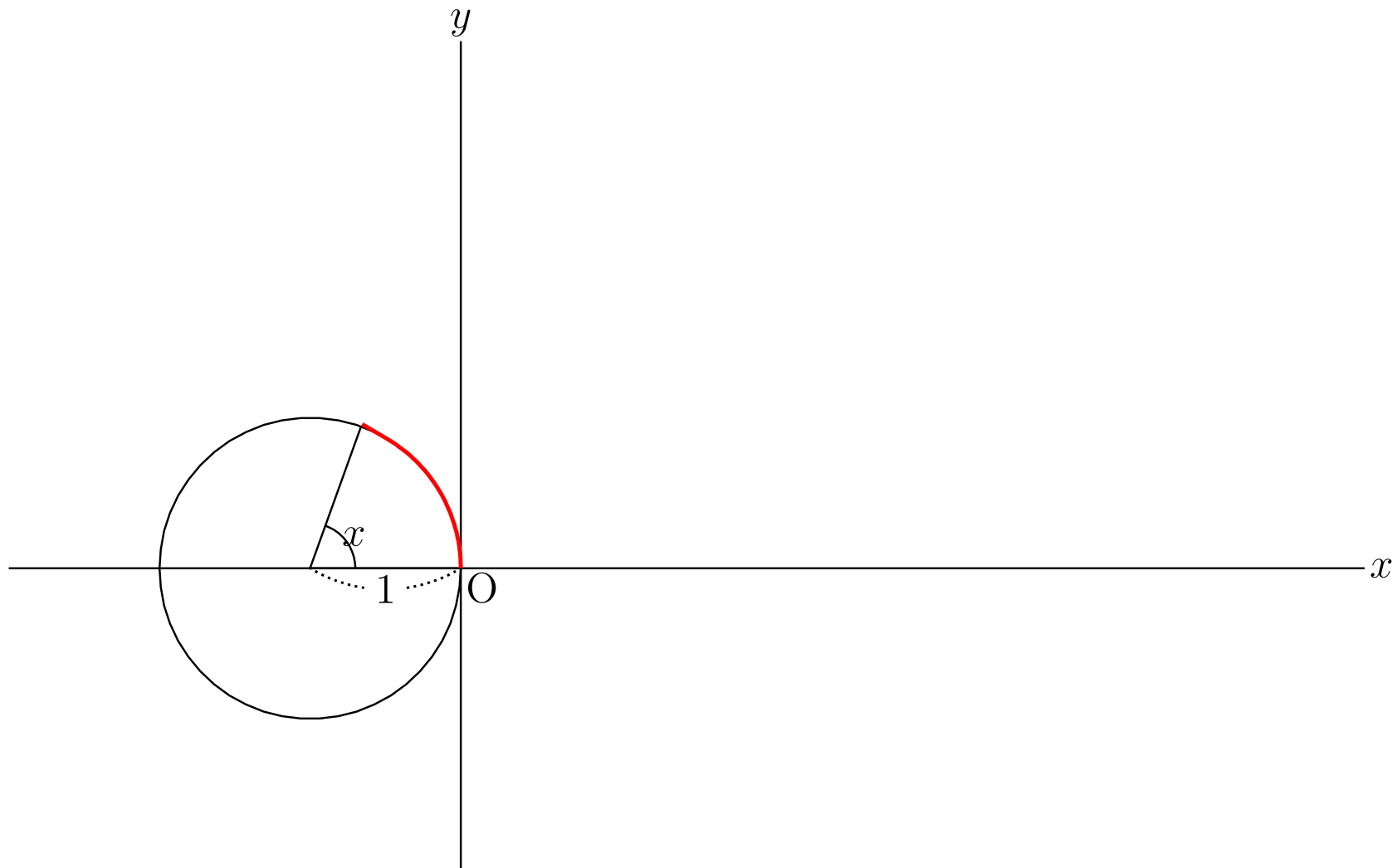
drawsine



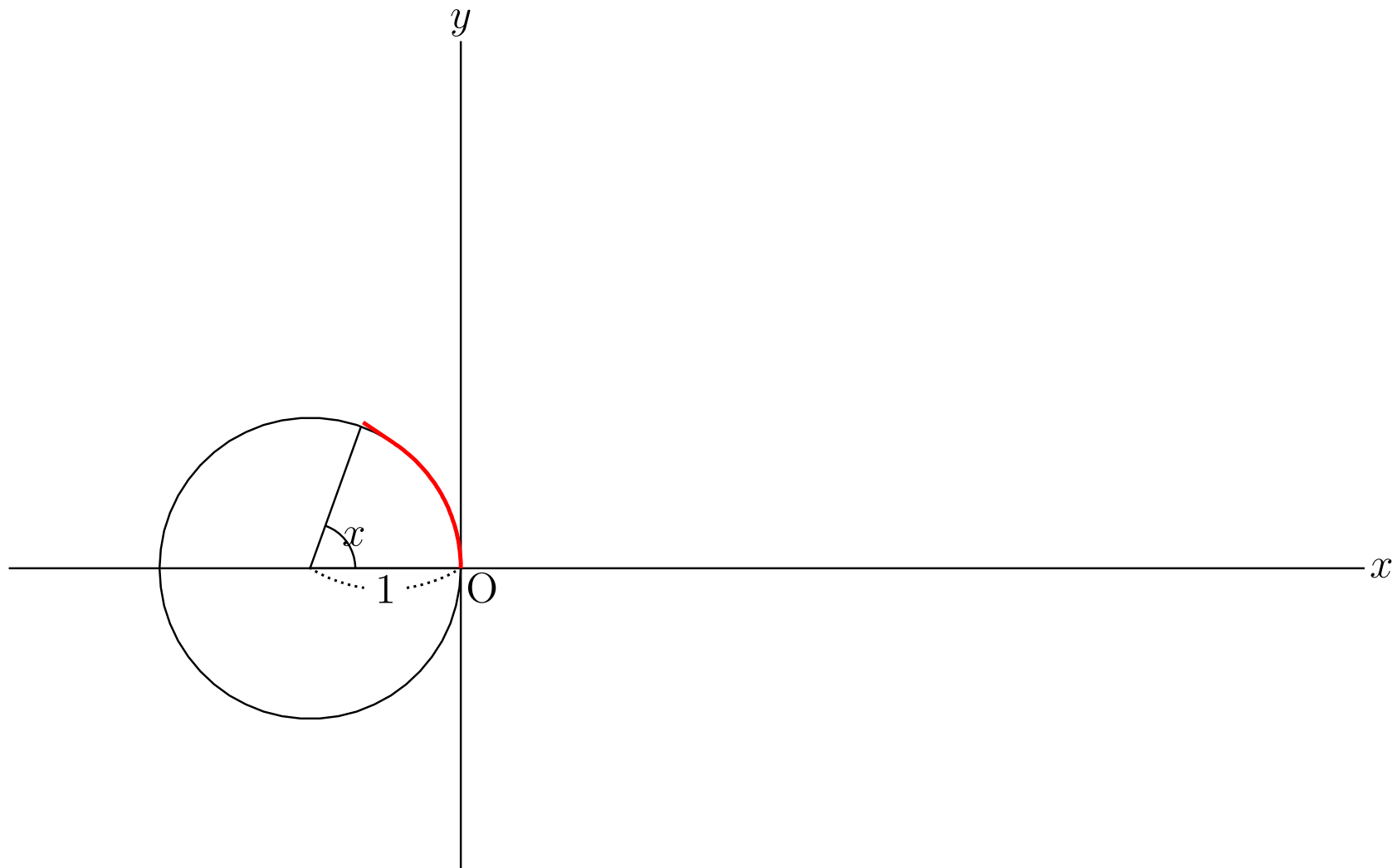
`drawsine`



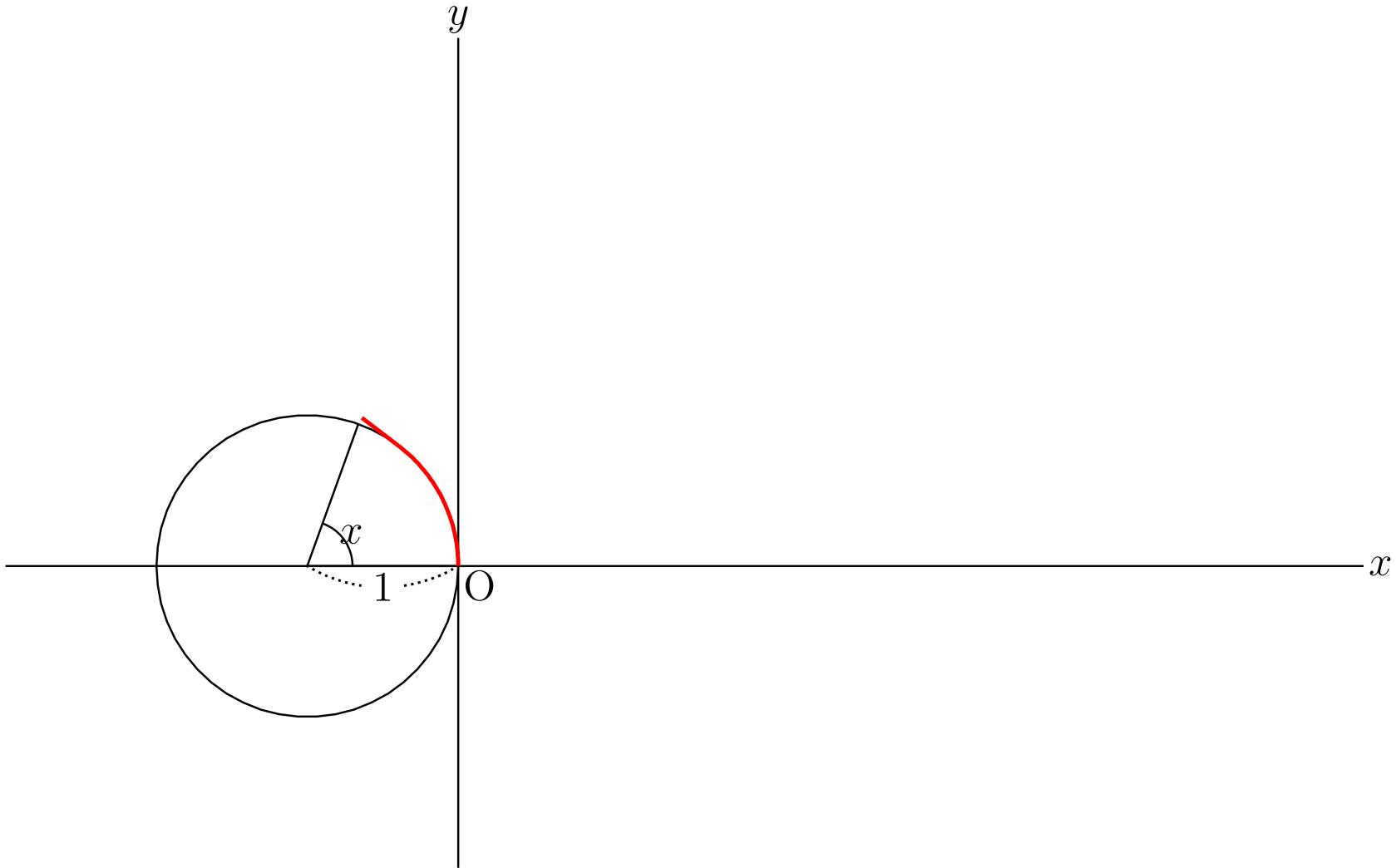
drawsine



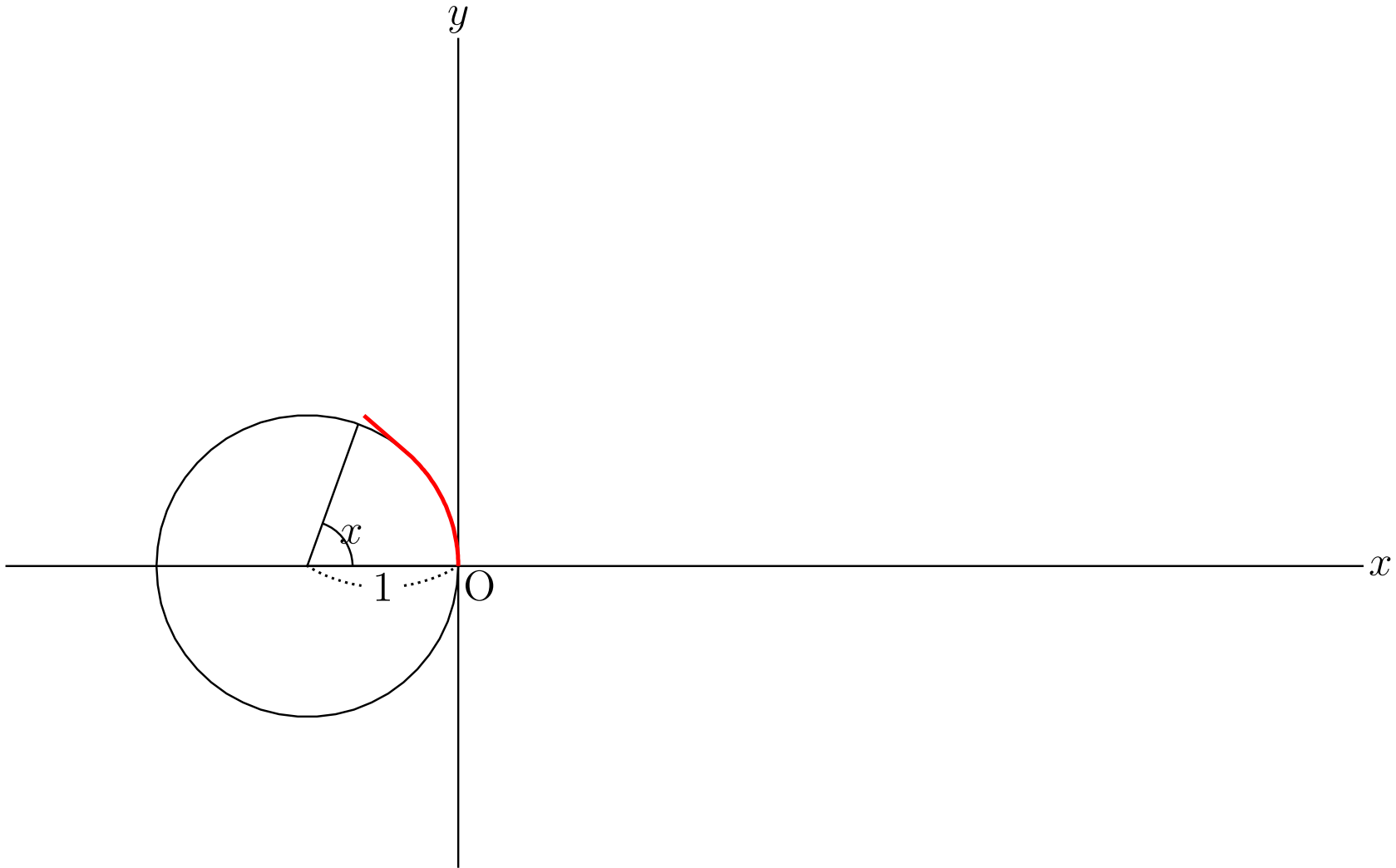
drawsine



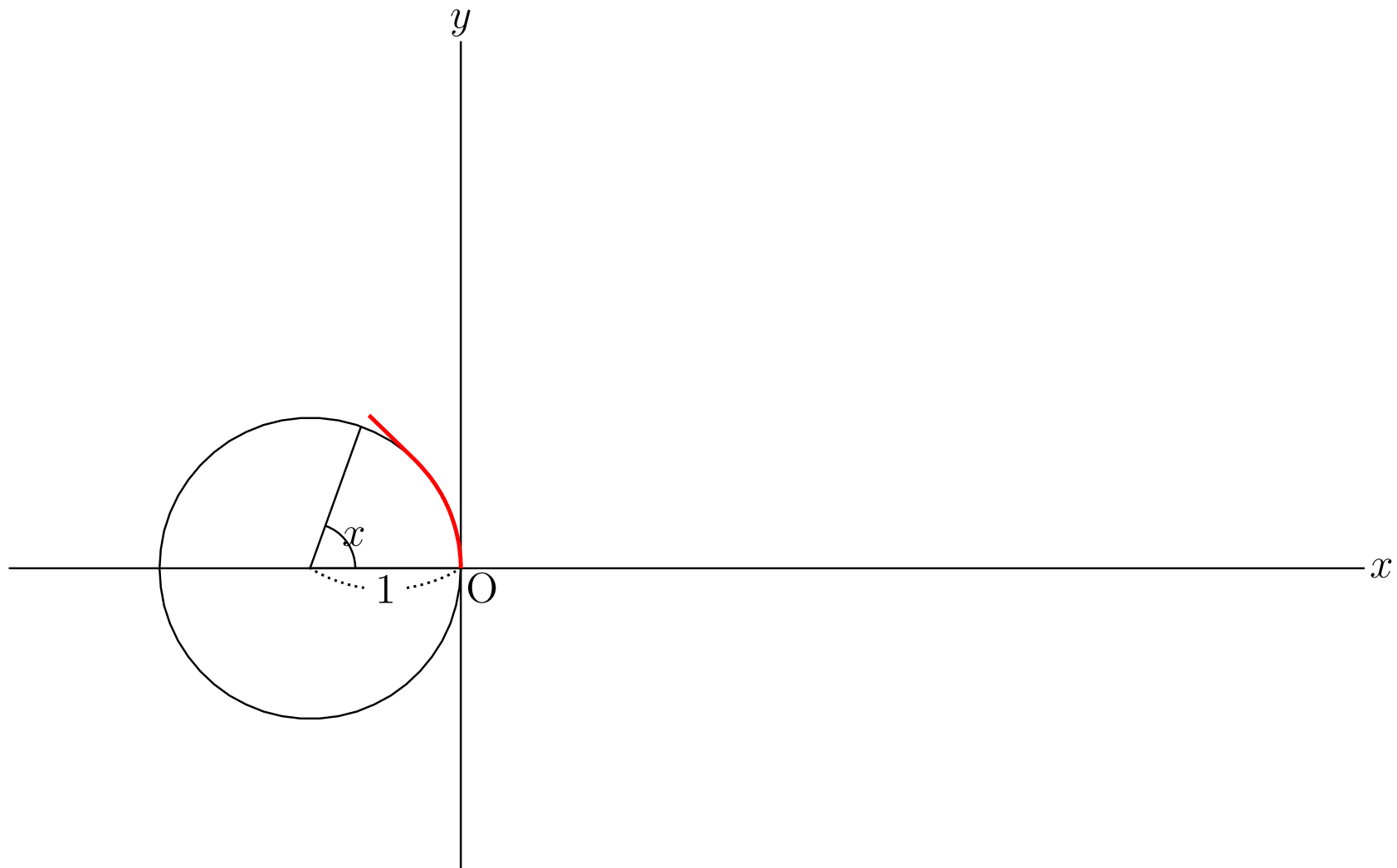
drawsine



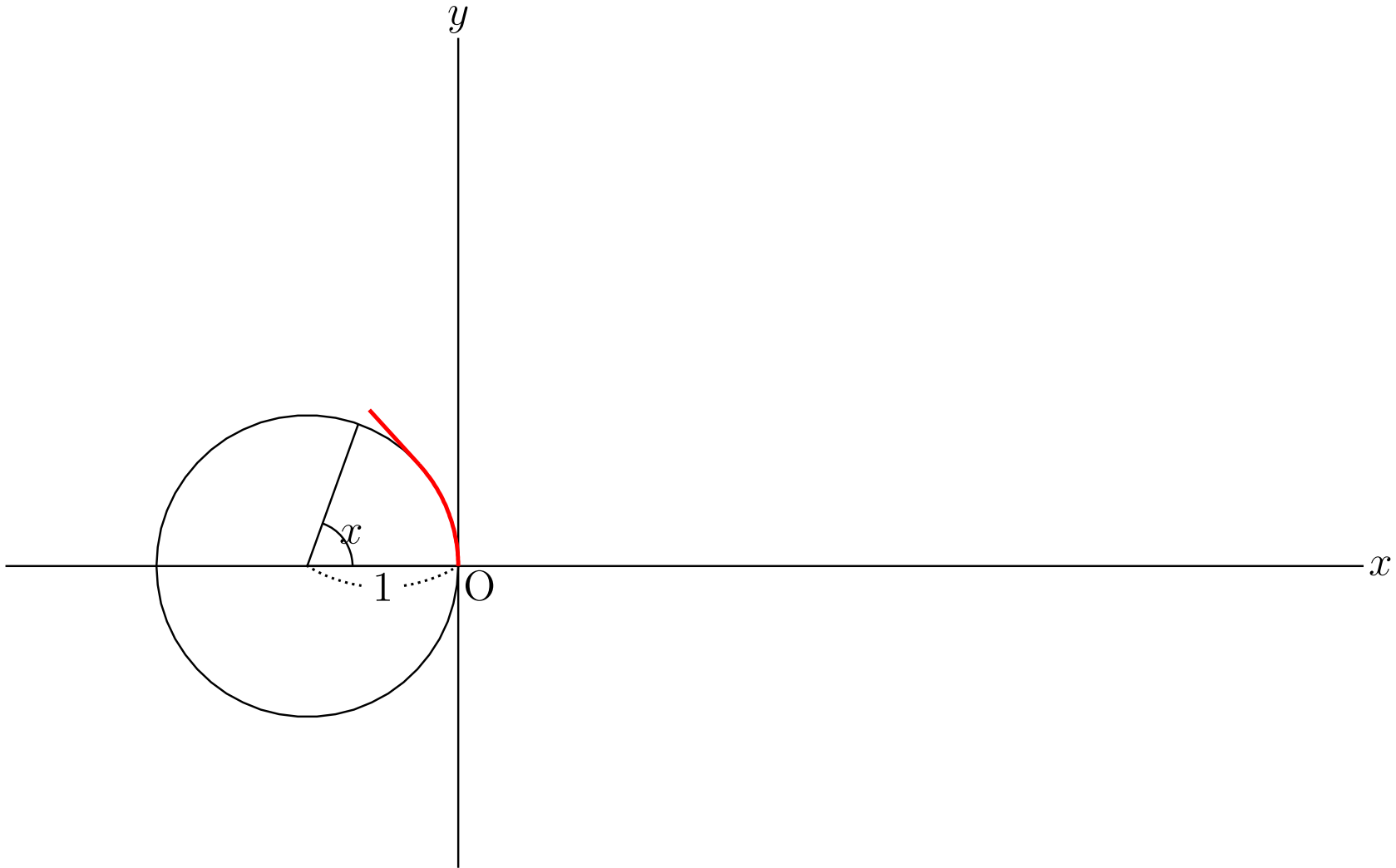
drawsine



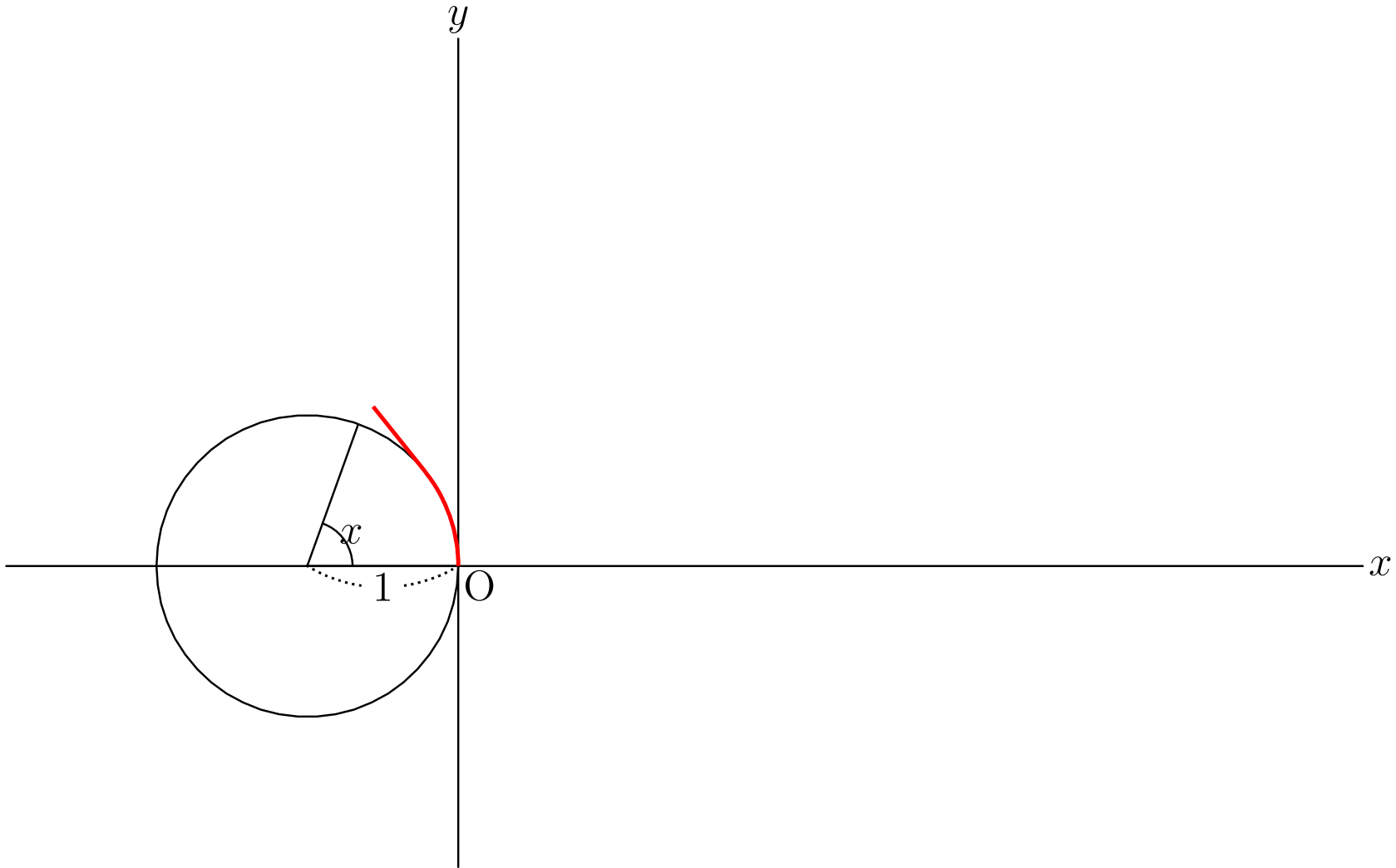
drawsine



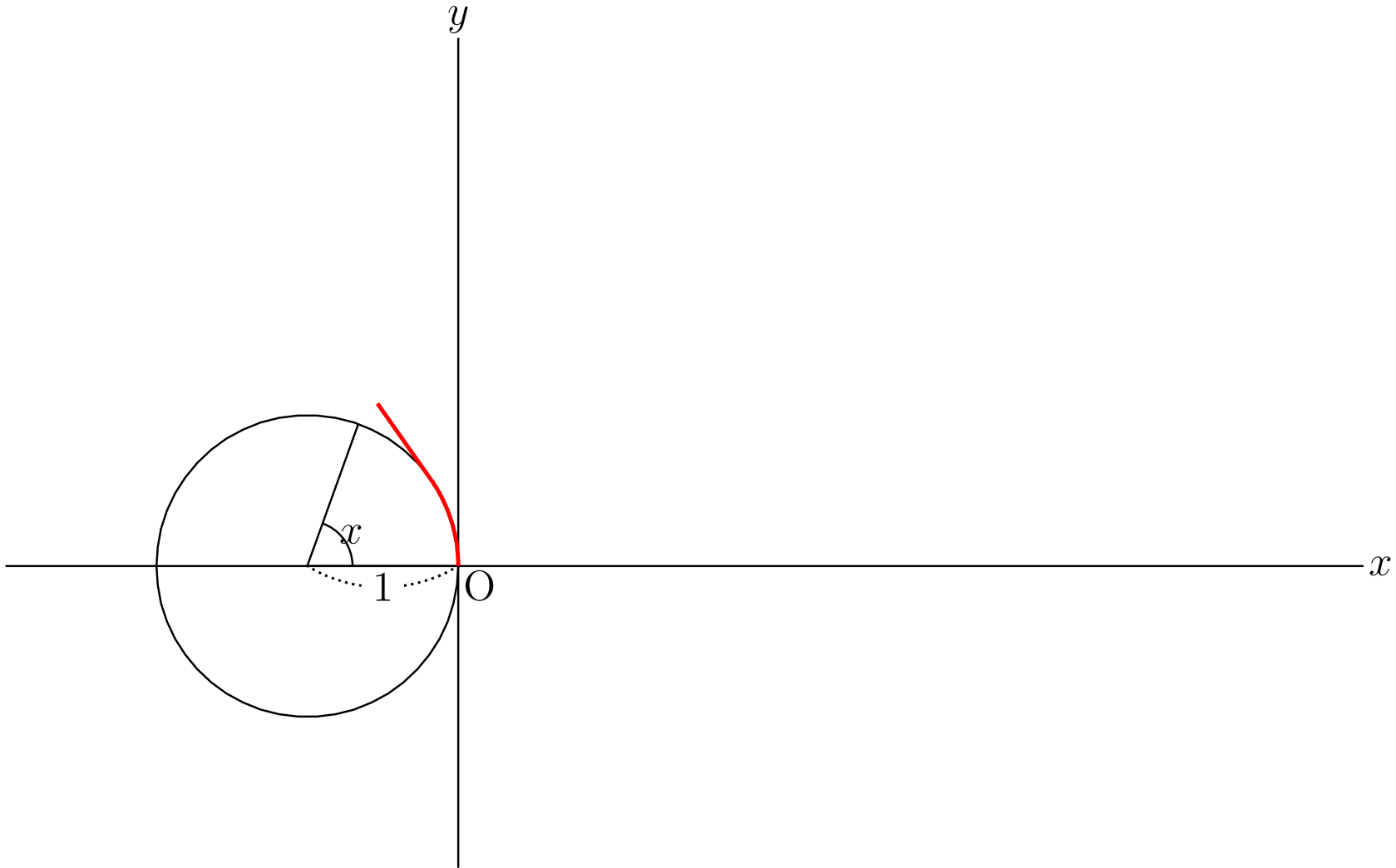
drawsine



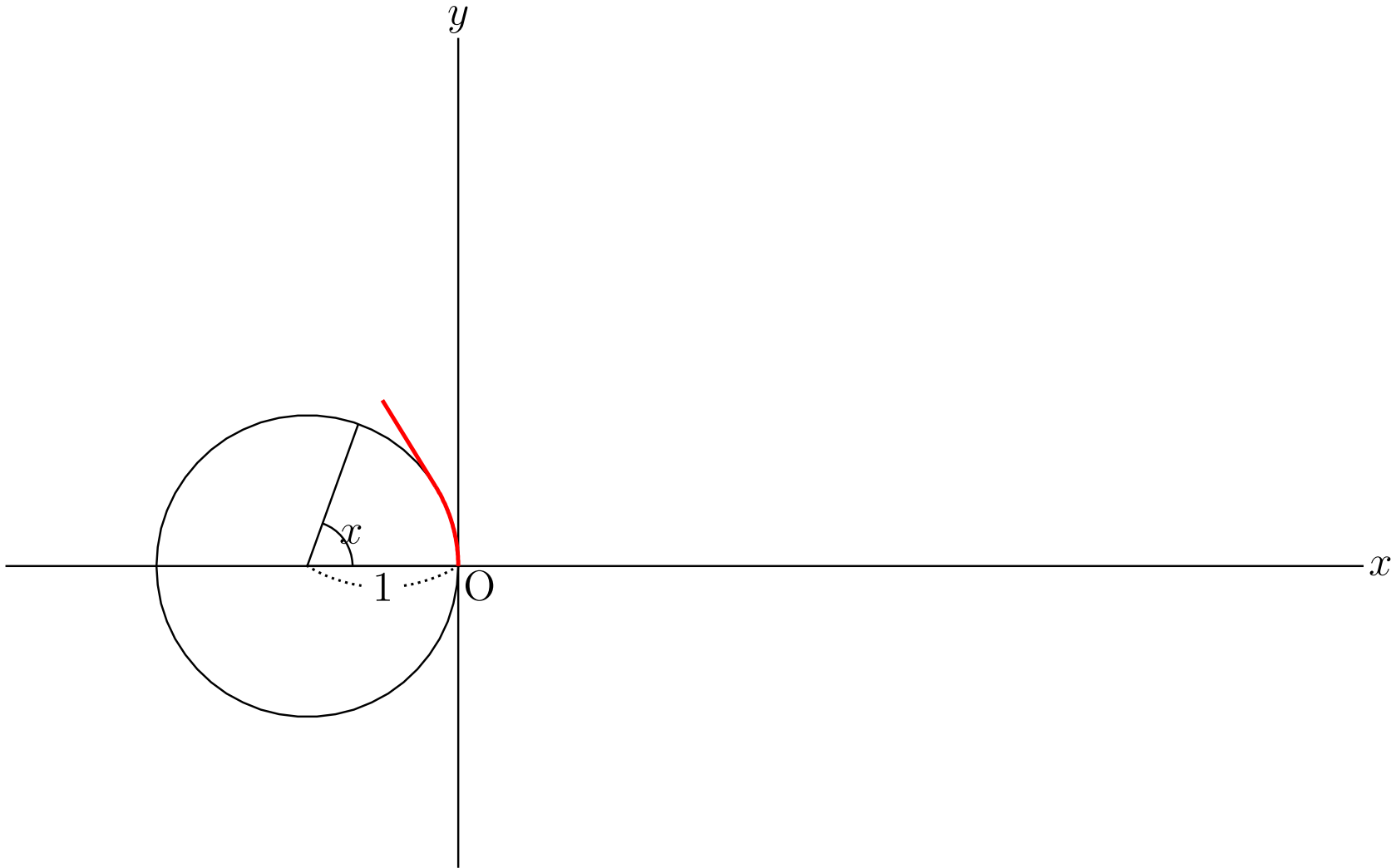
drawsine



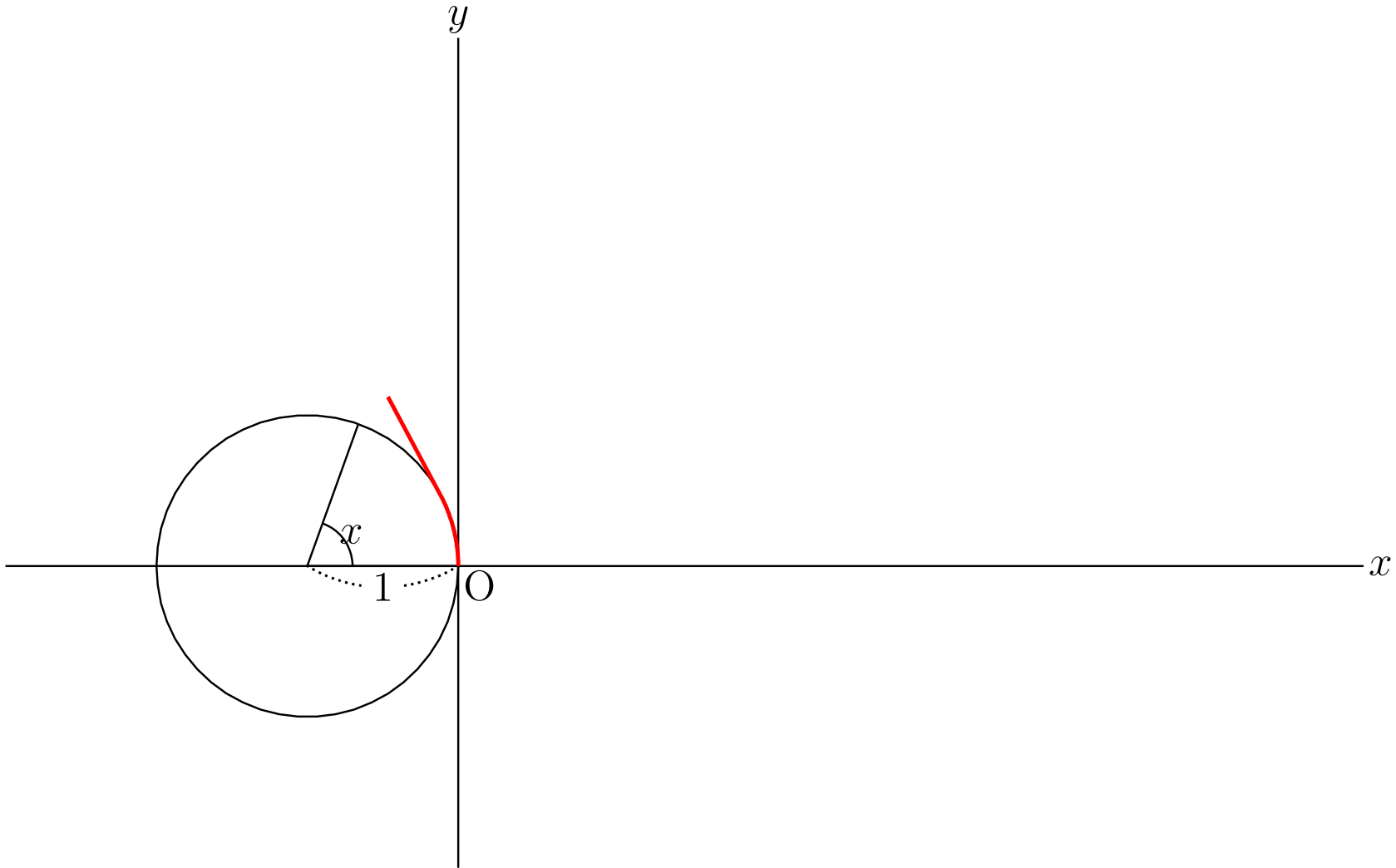
drawsine



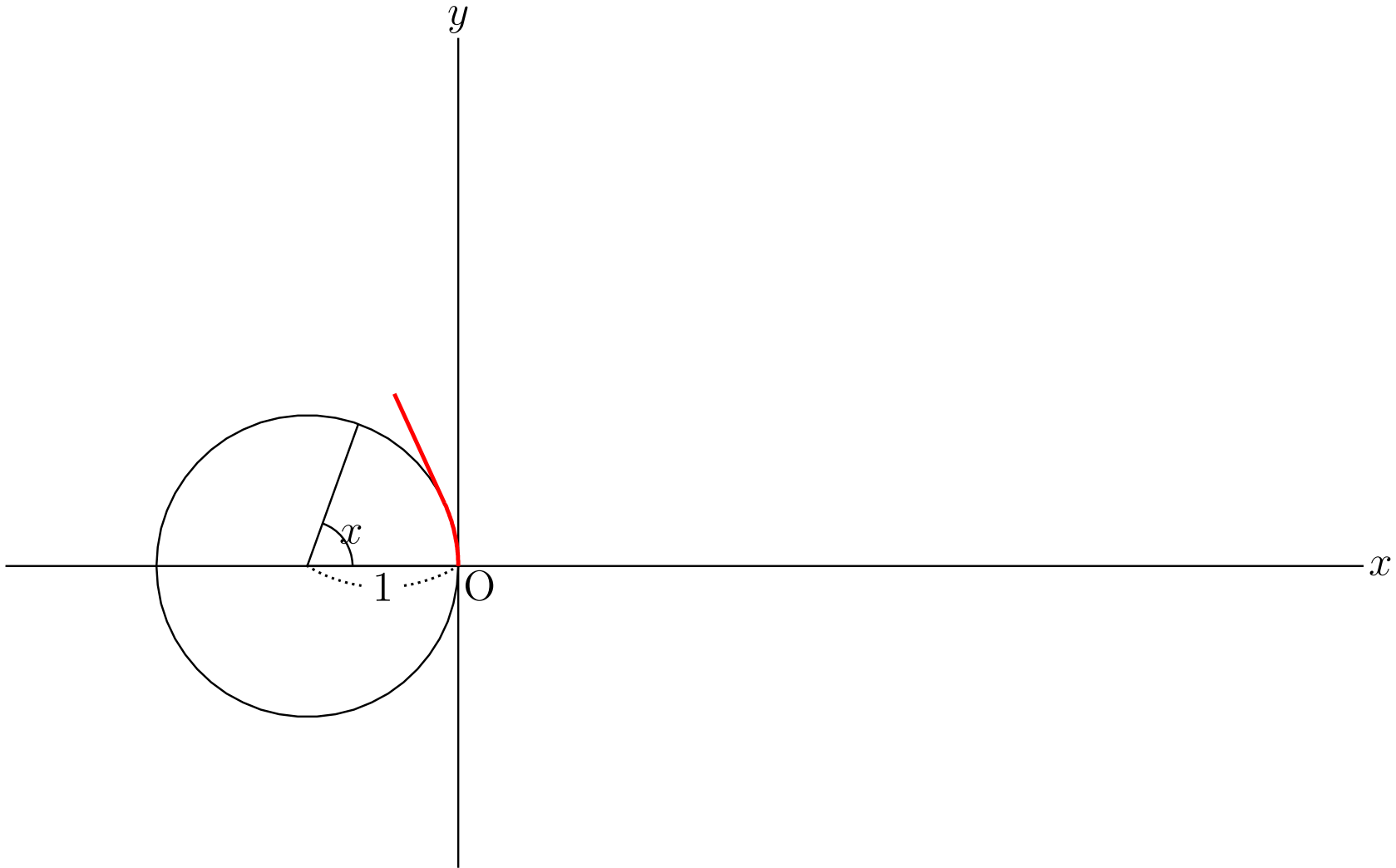
drawsine



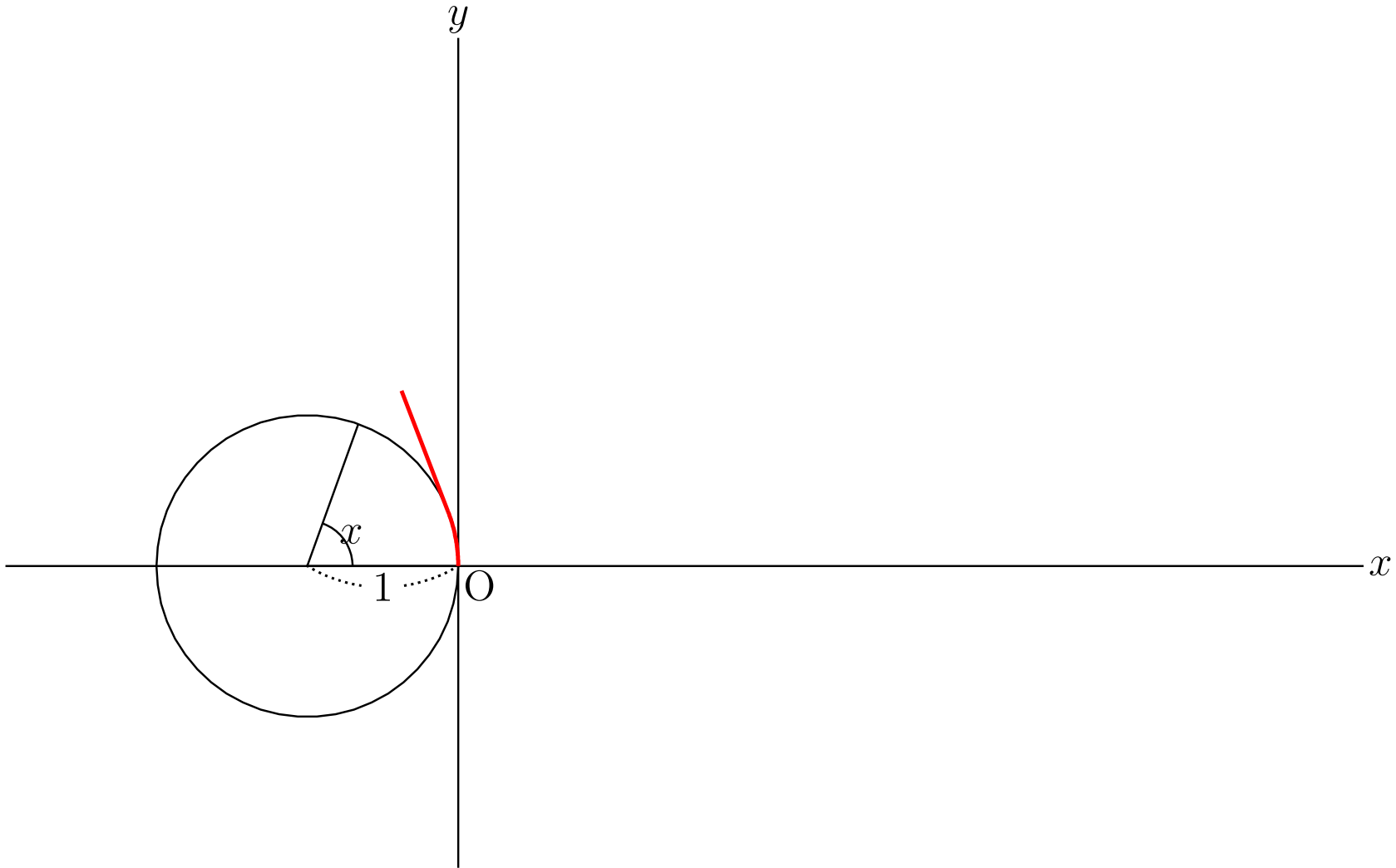
drawsine



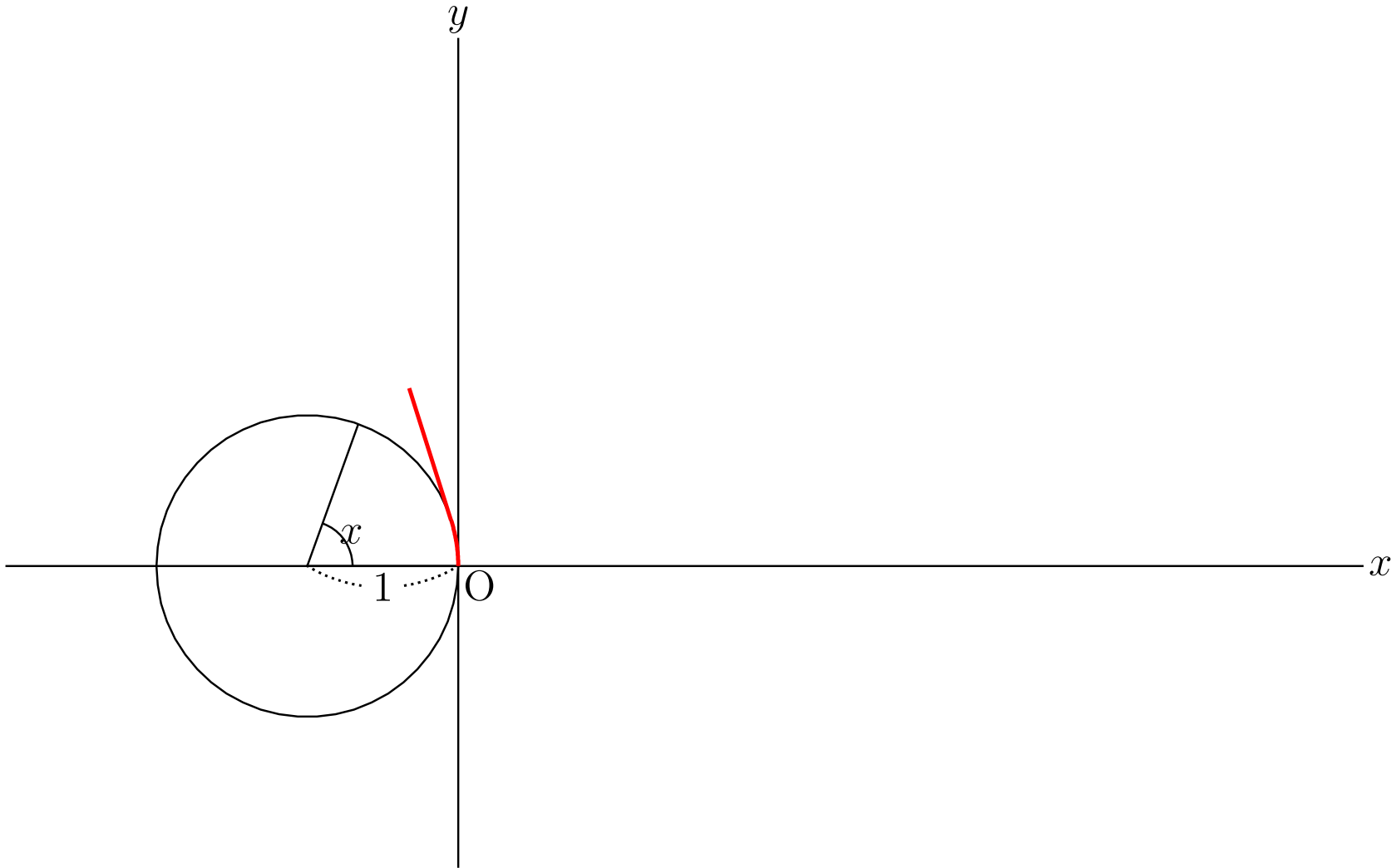
drawsine



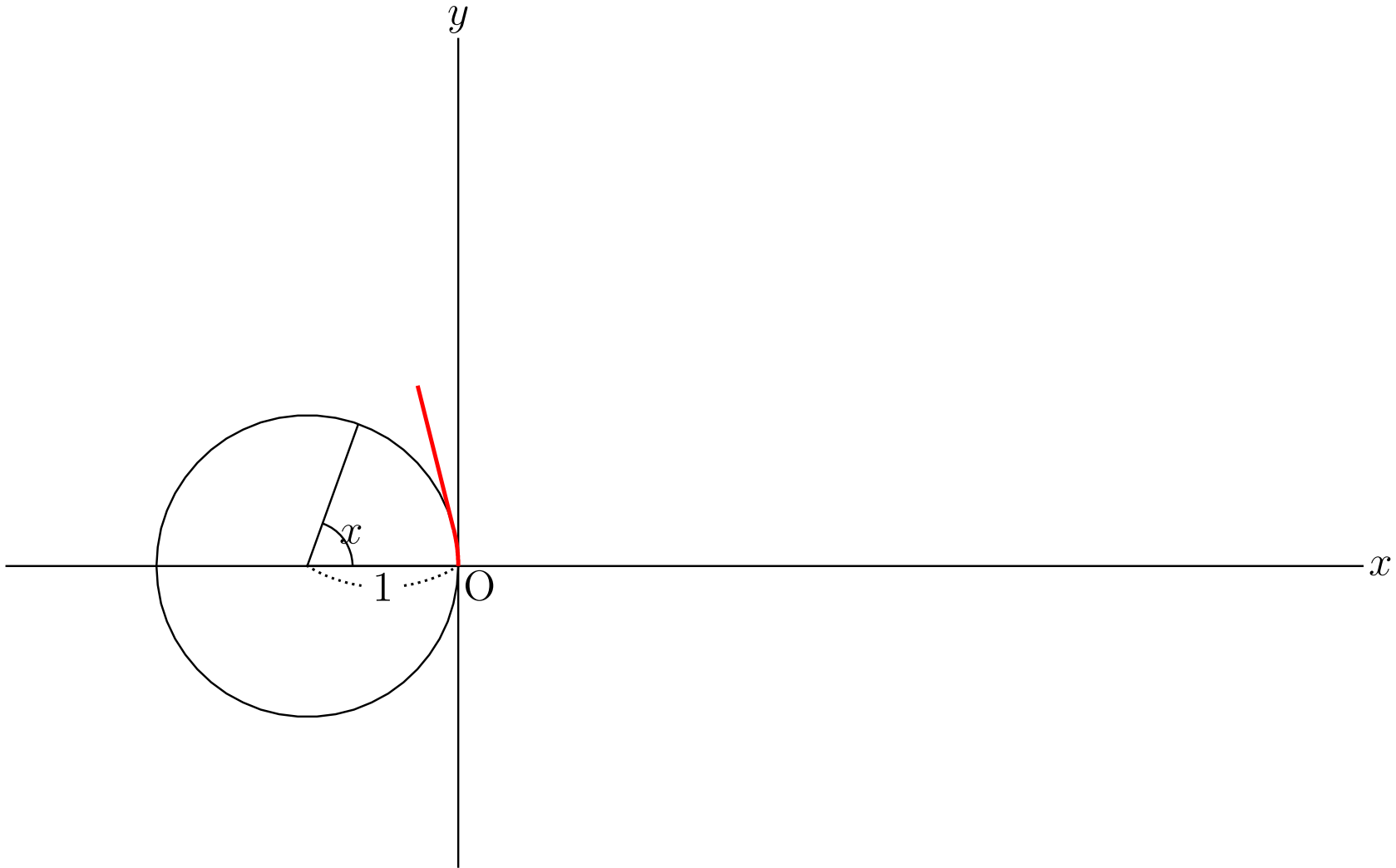
drawsine



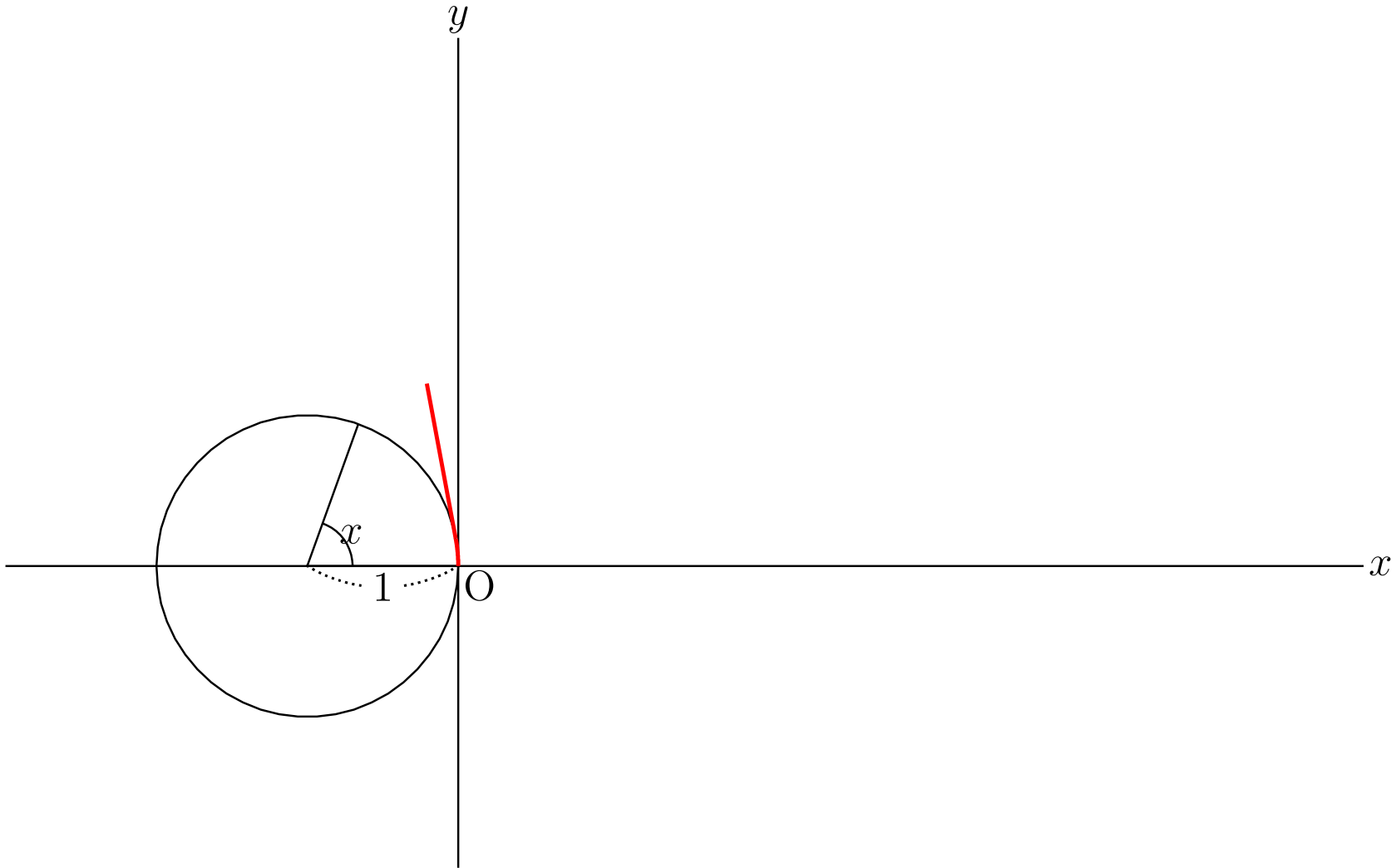
drawsine



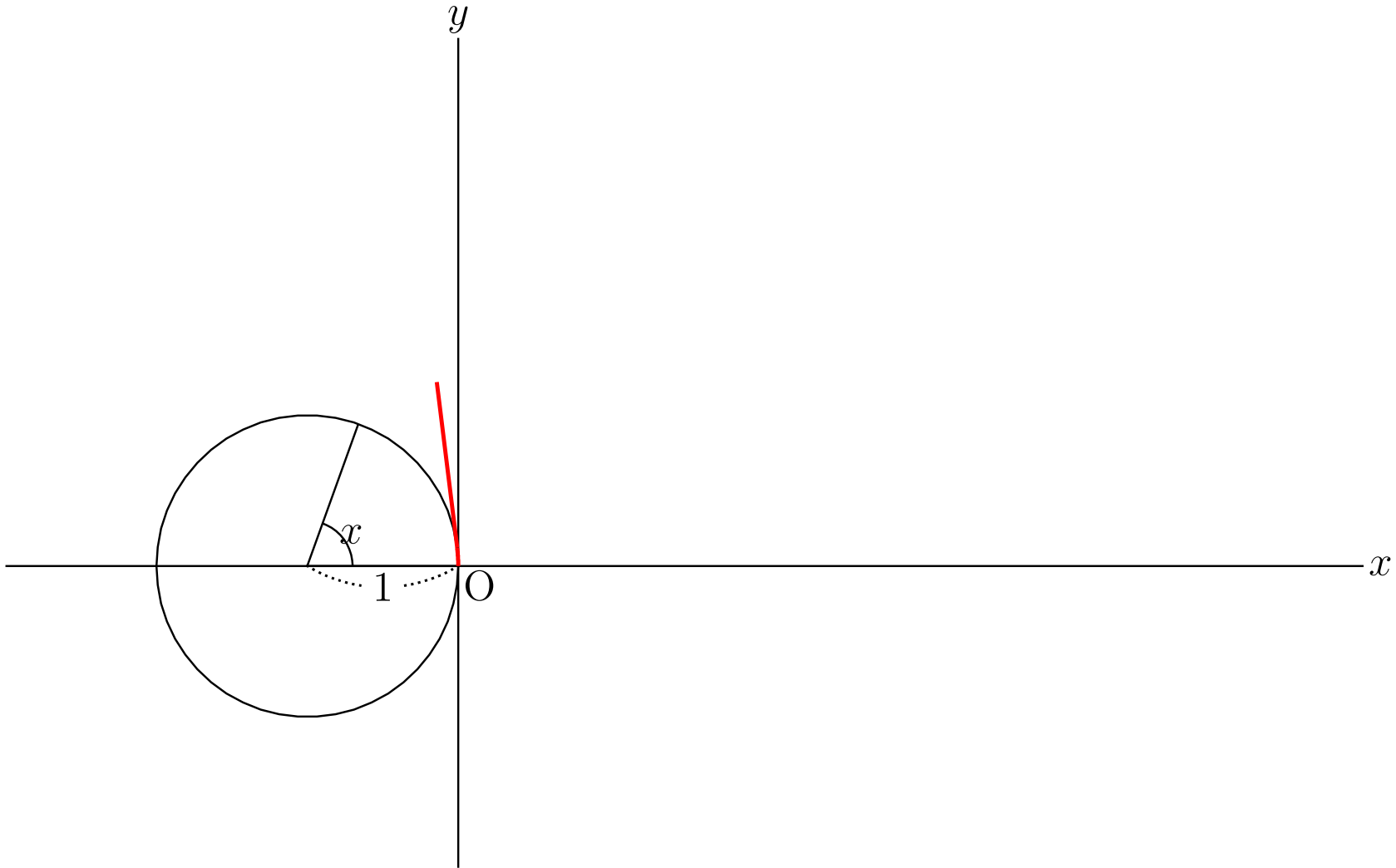
drawsine



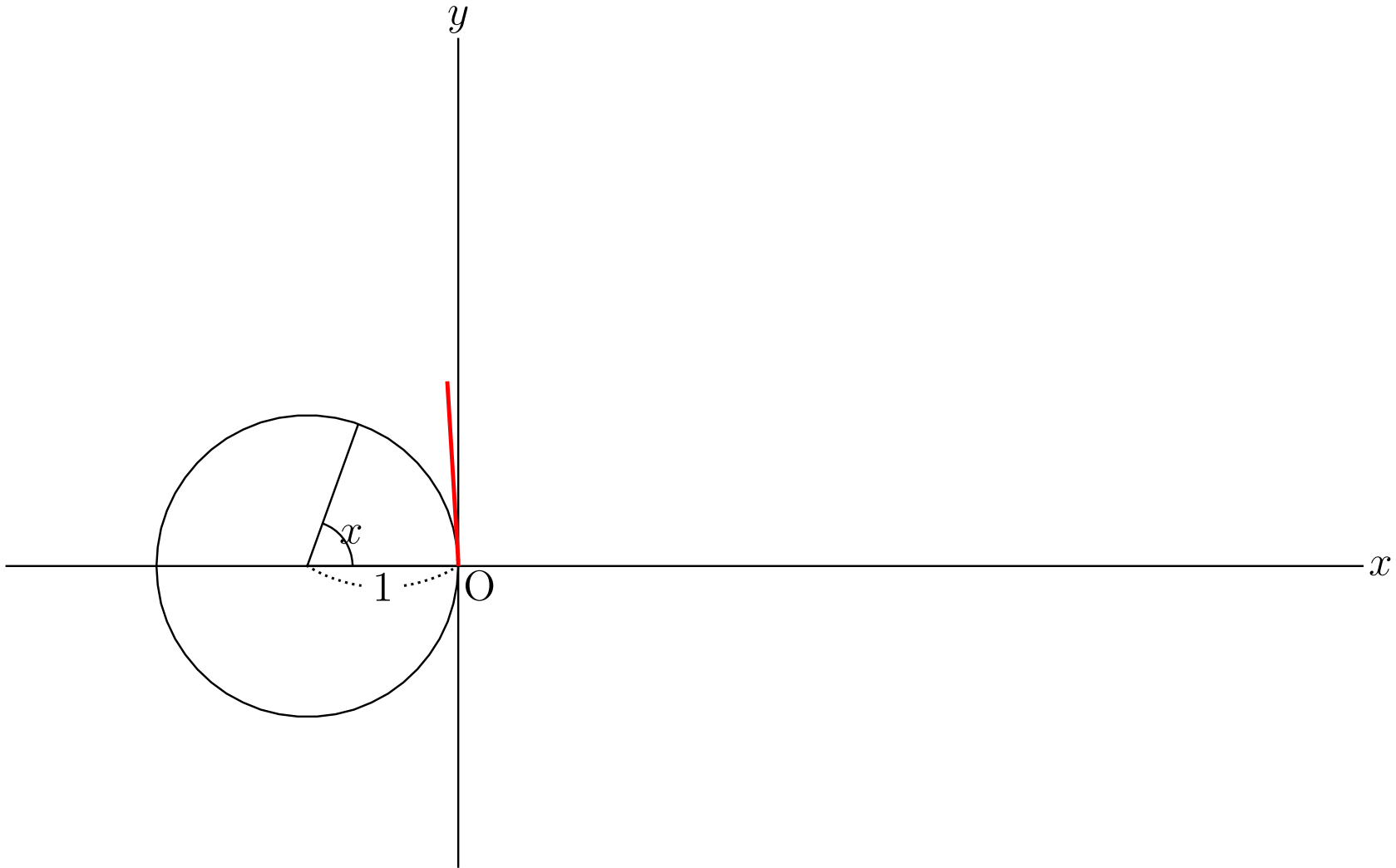
`drawsine`



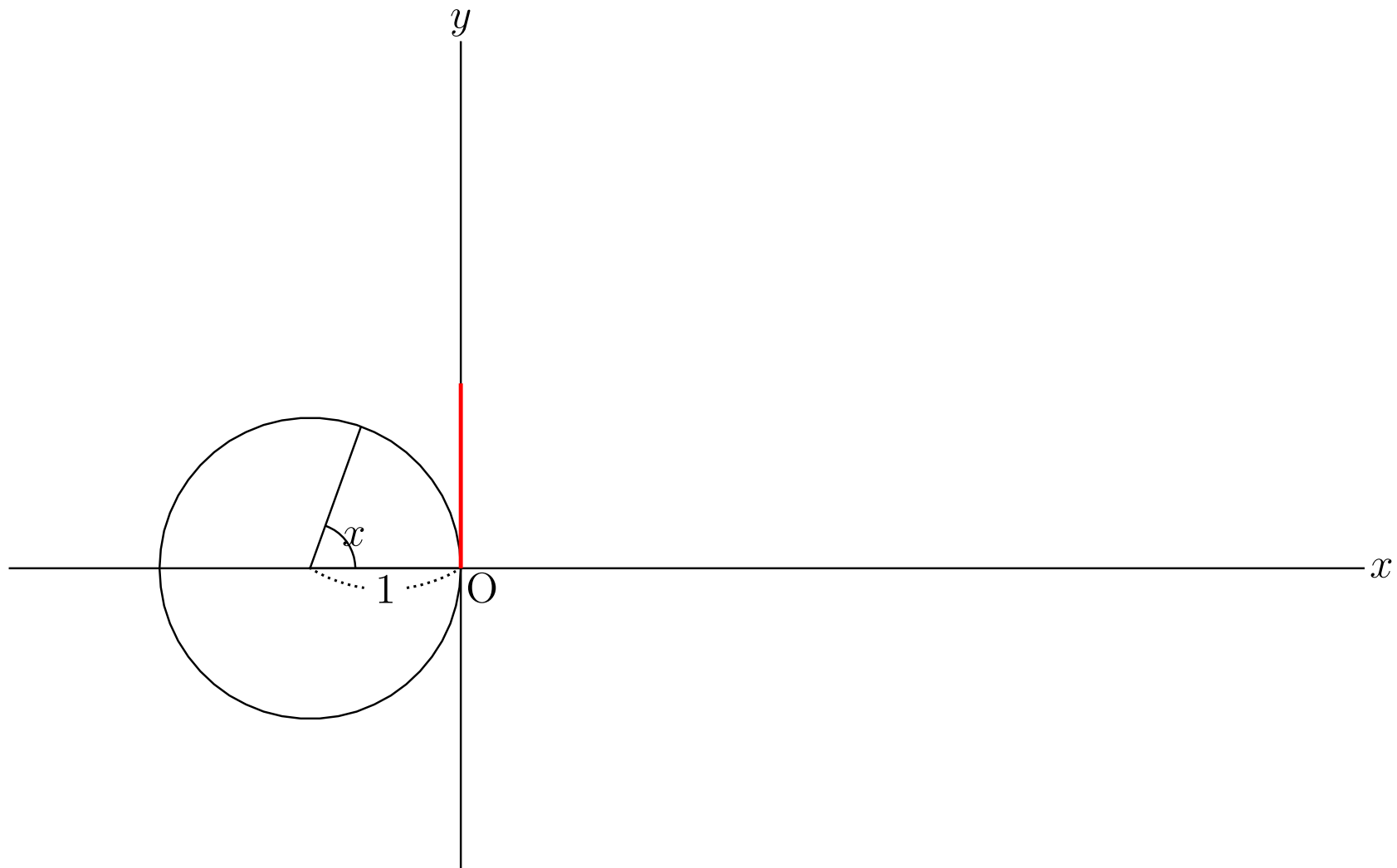
drawsine



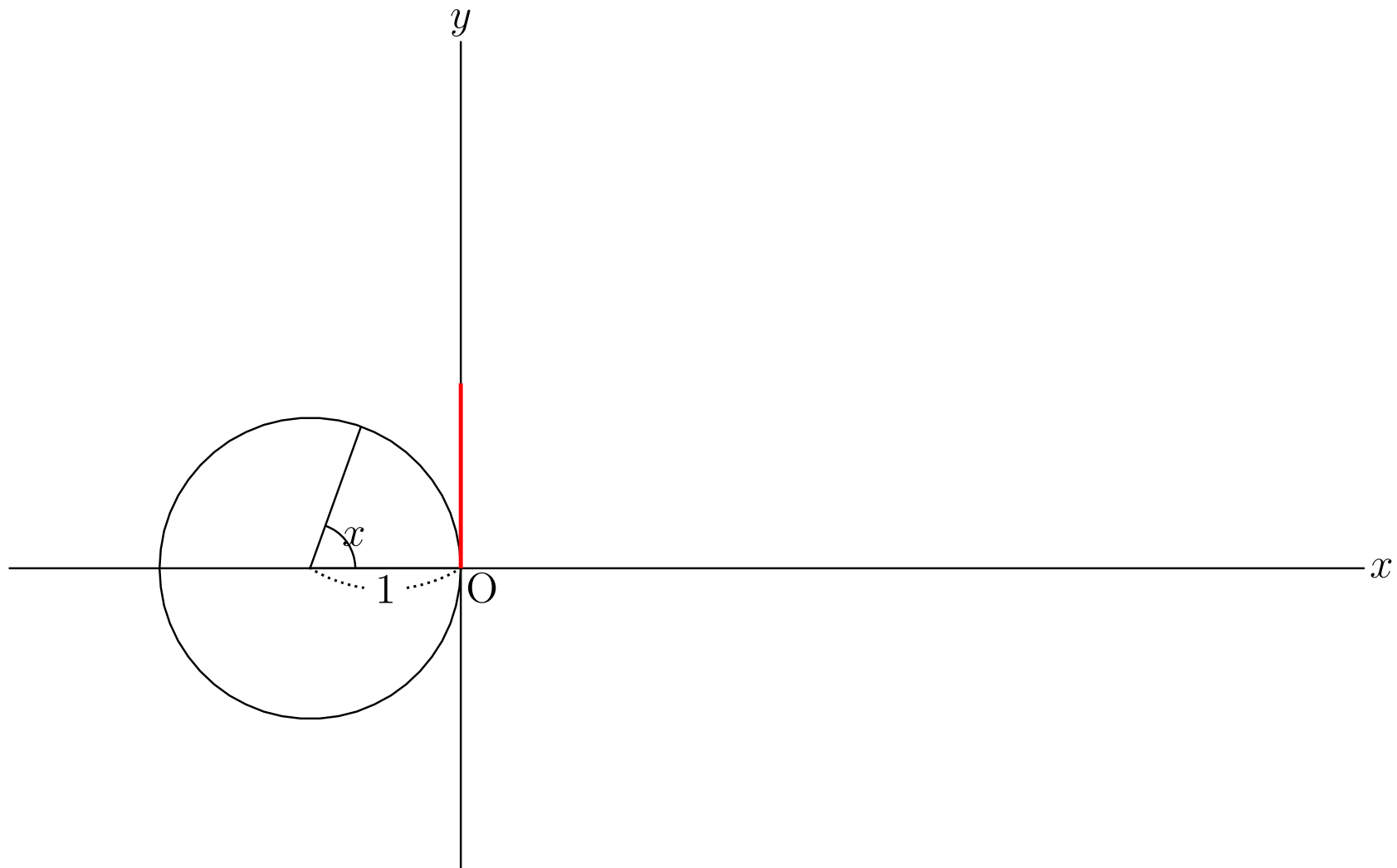
drawsine



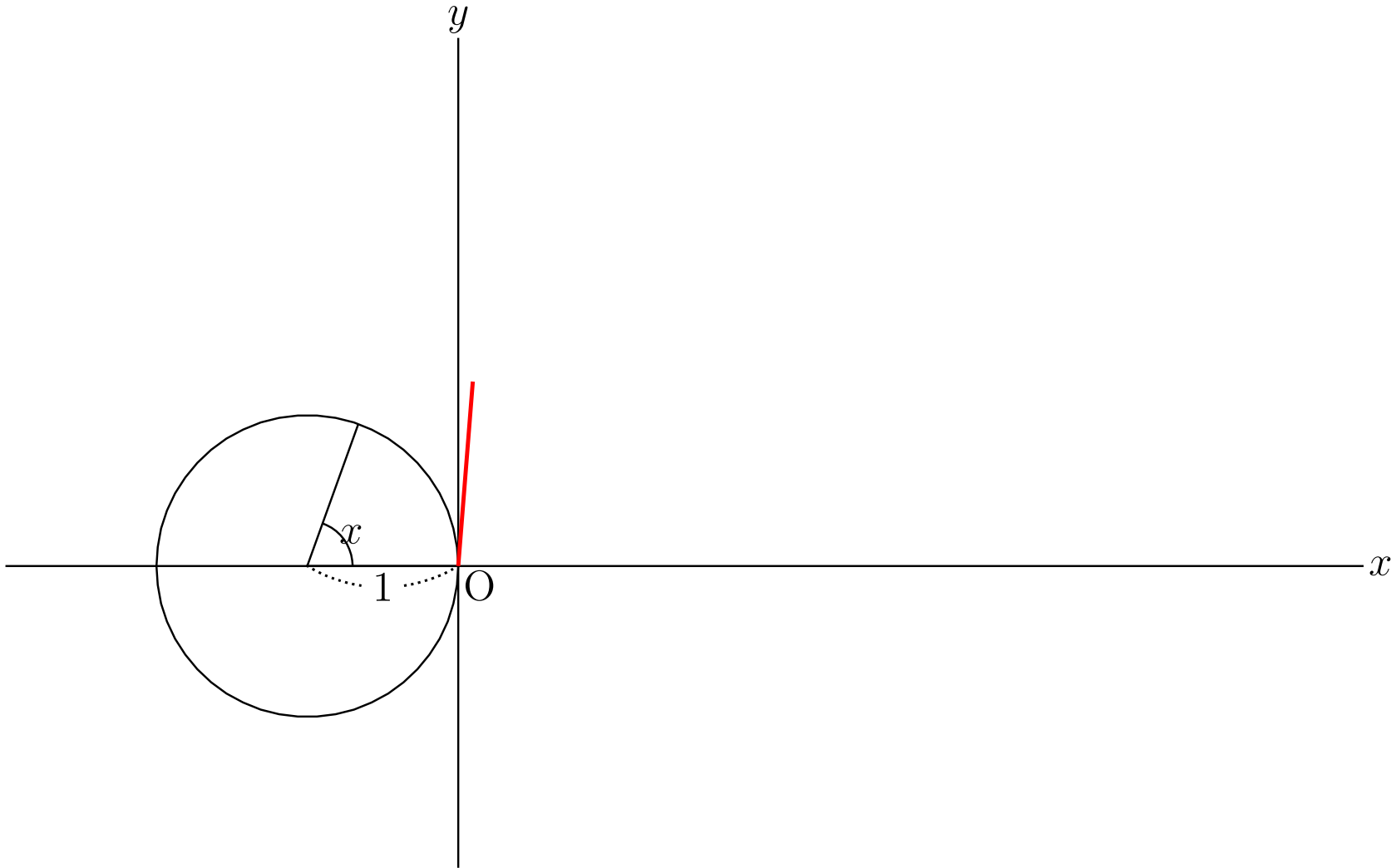
drawsine



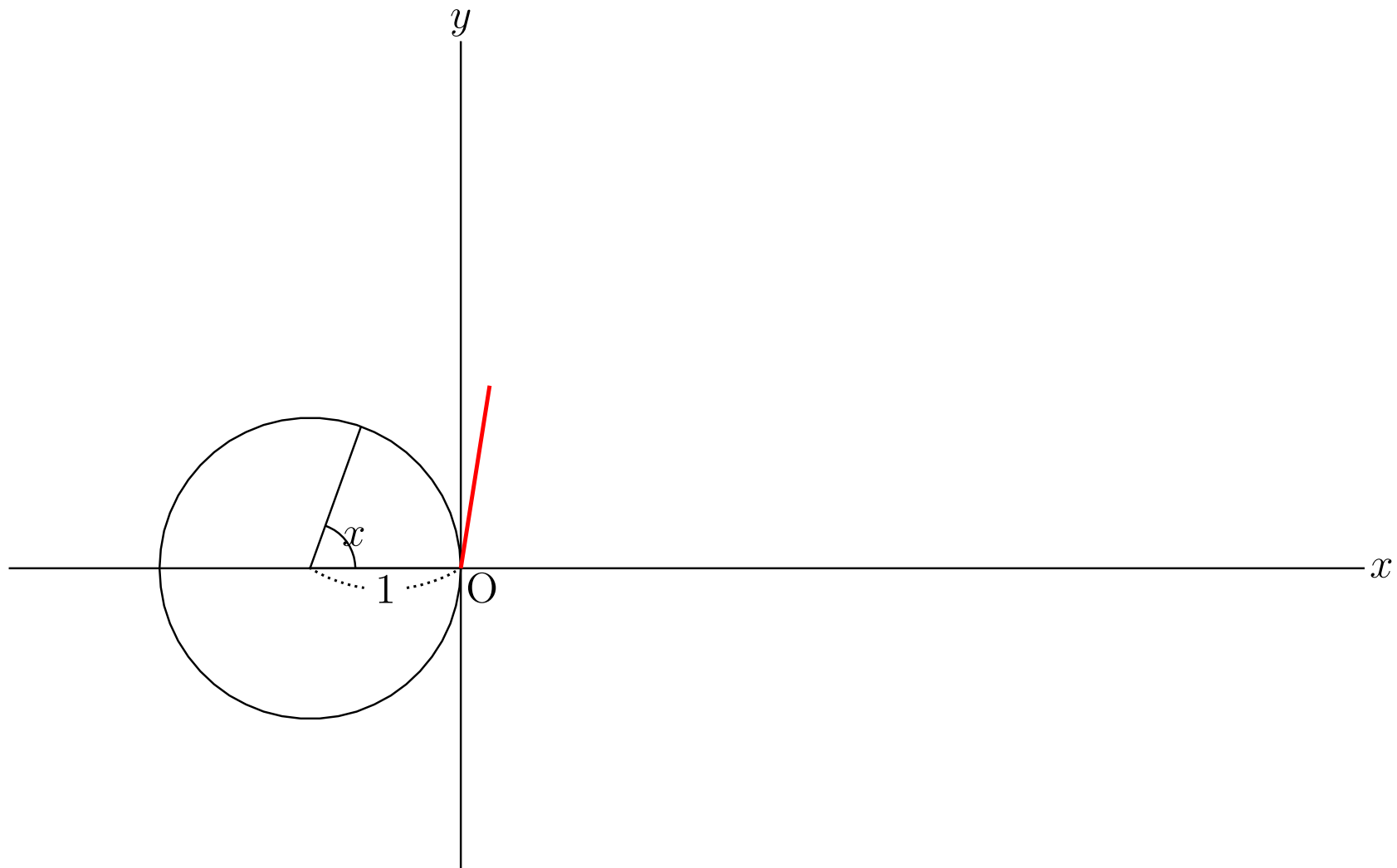
drawsine



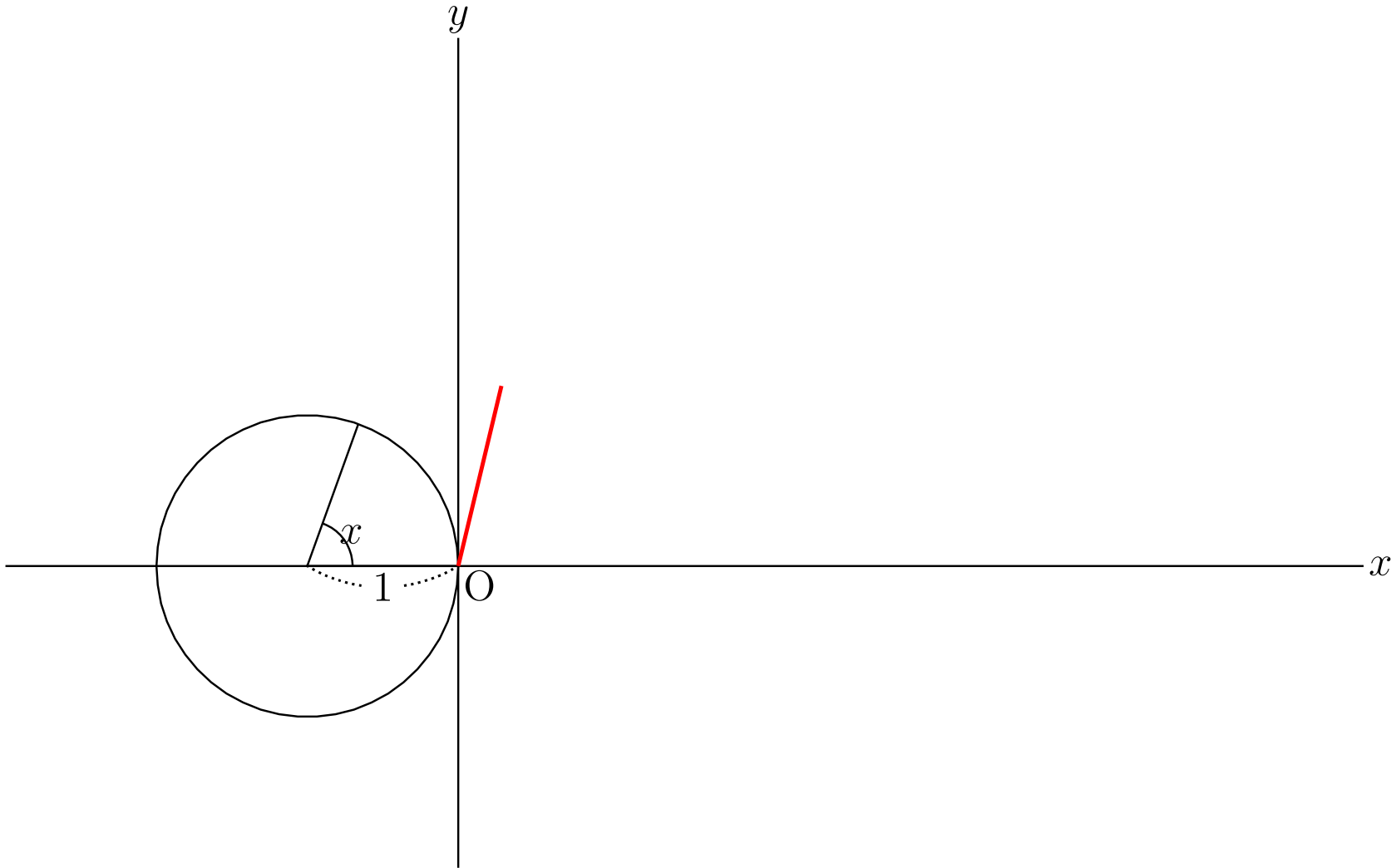
drawsine



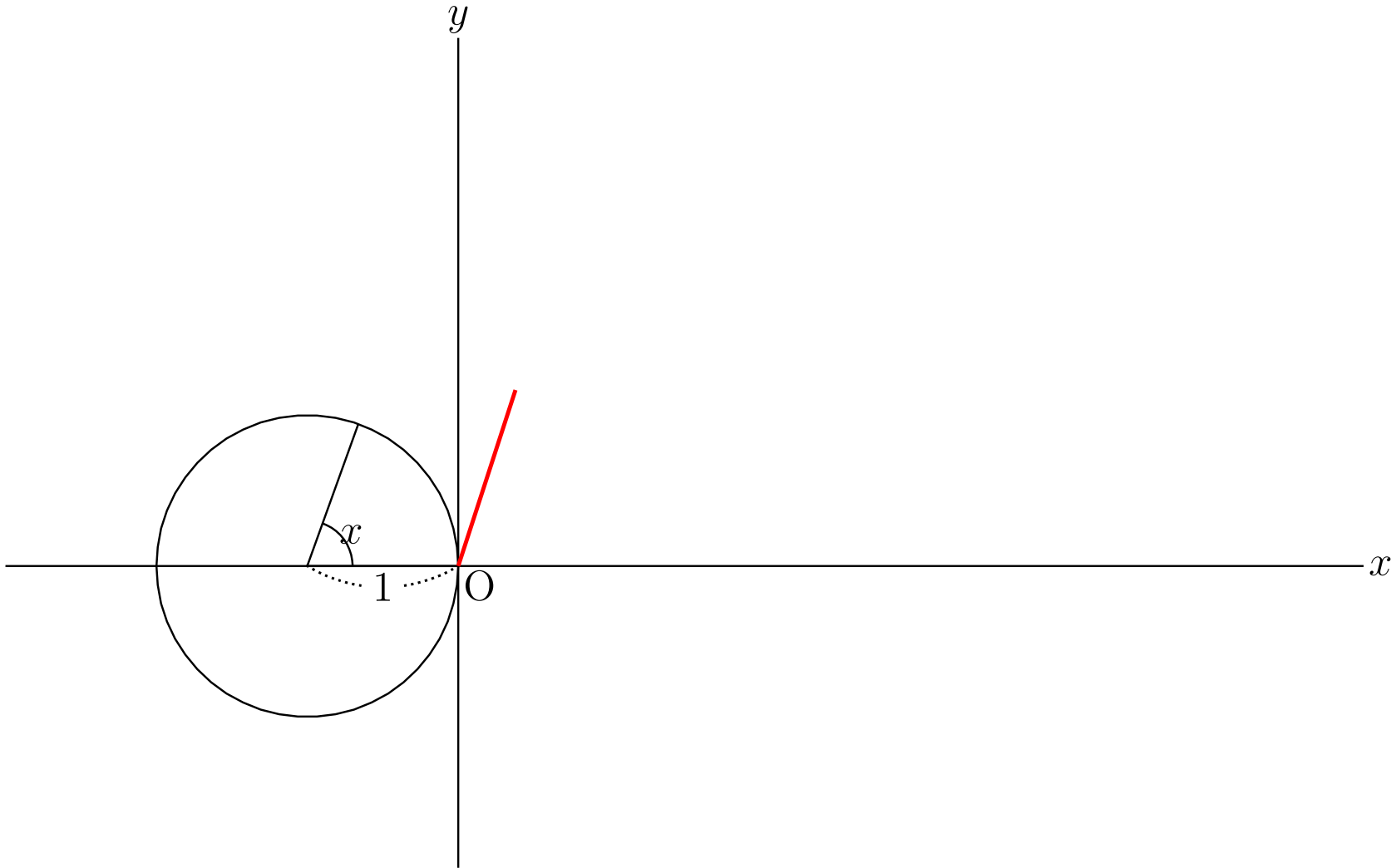
drawsine



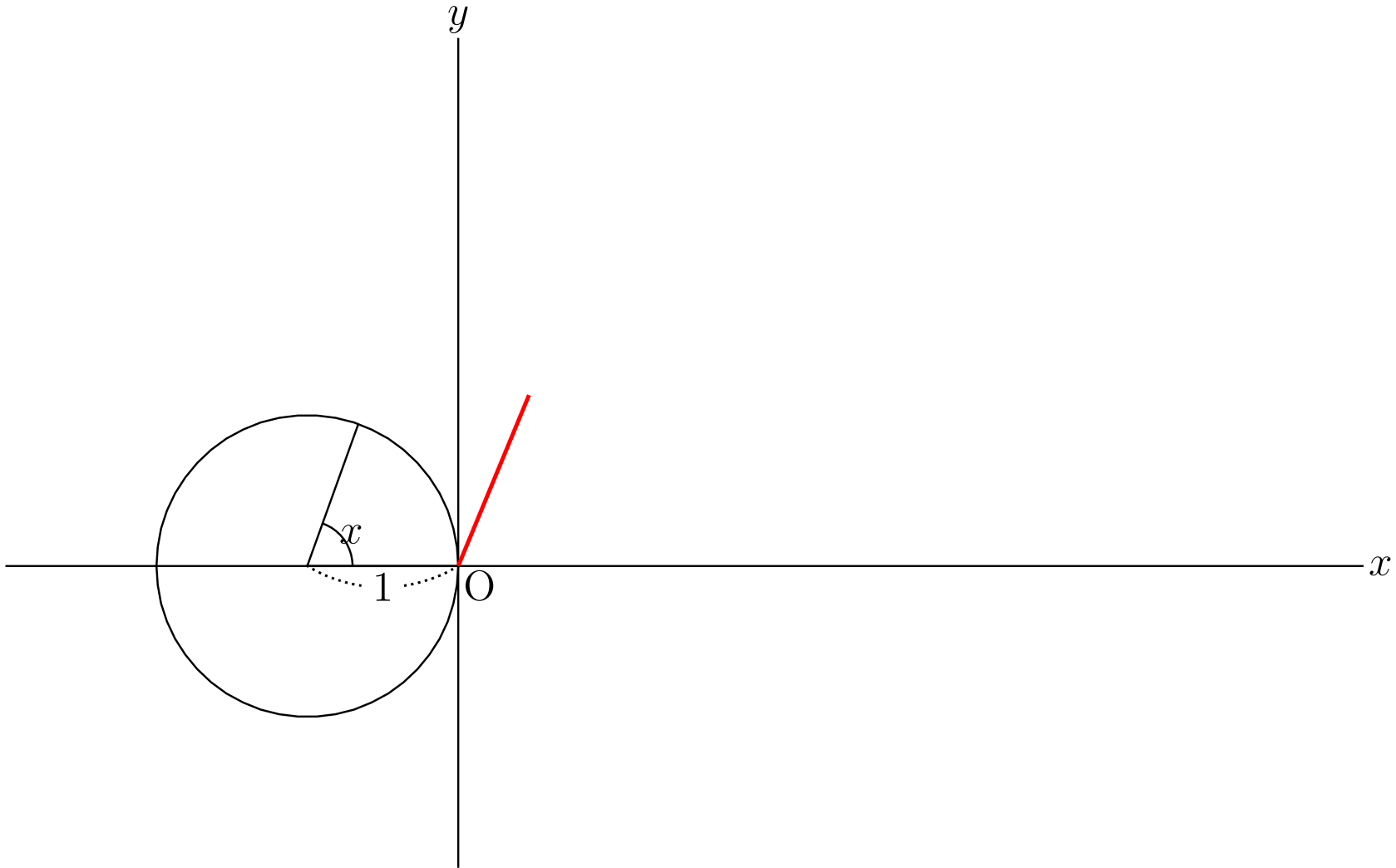
drawsine



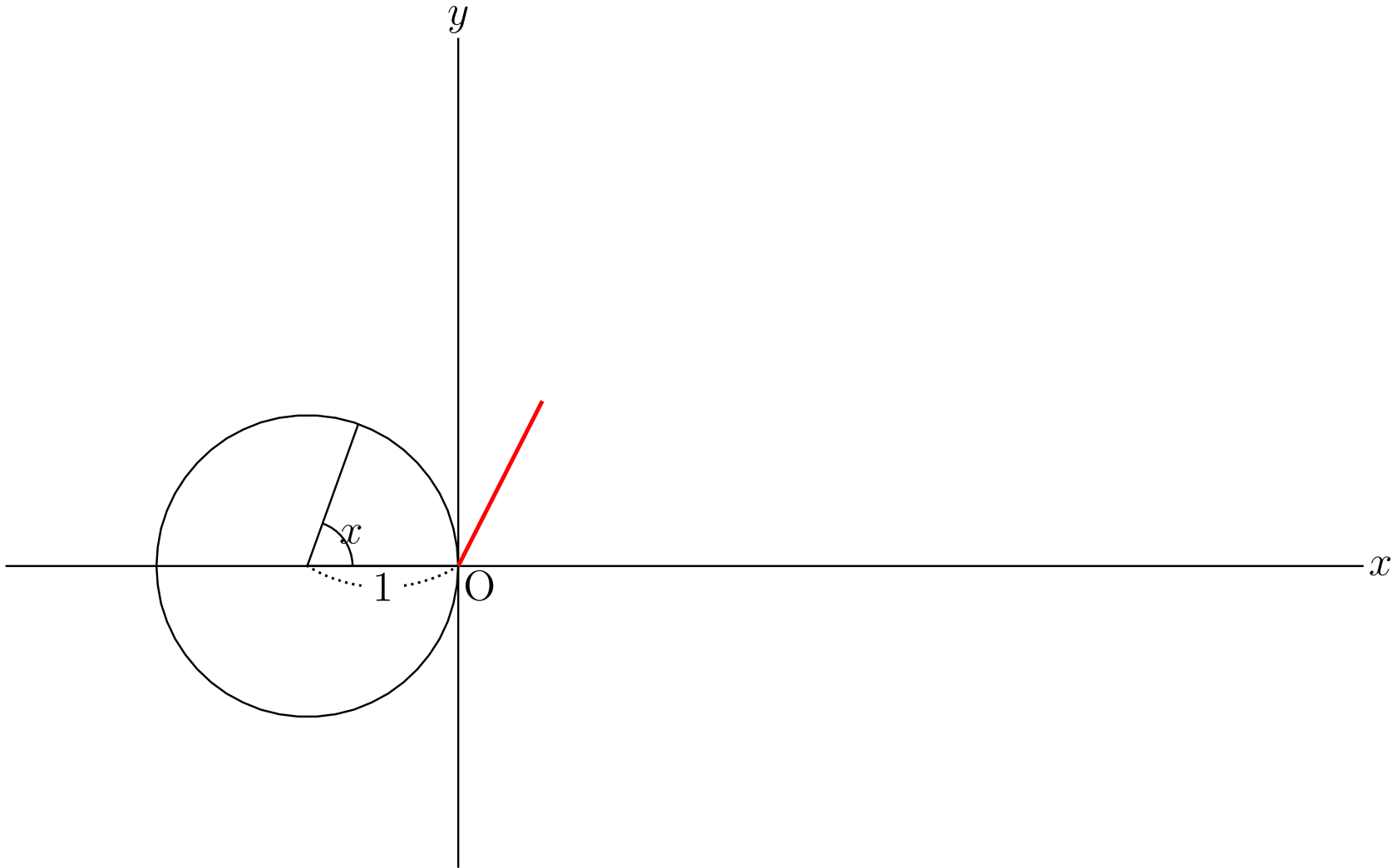
drawsine



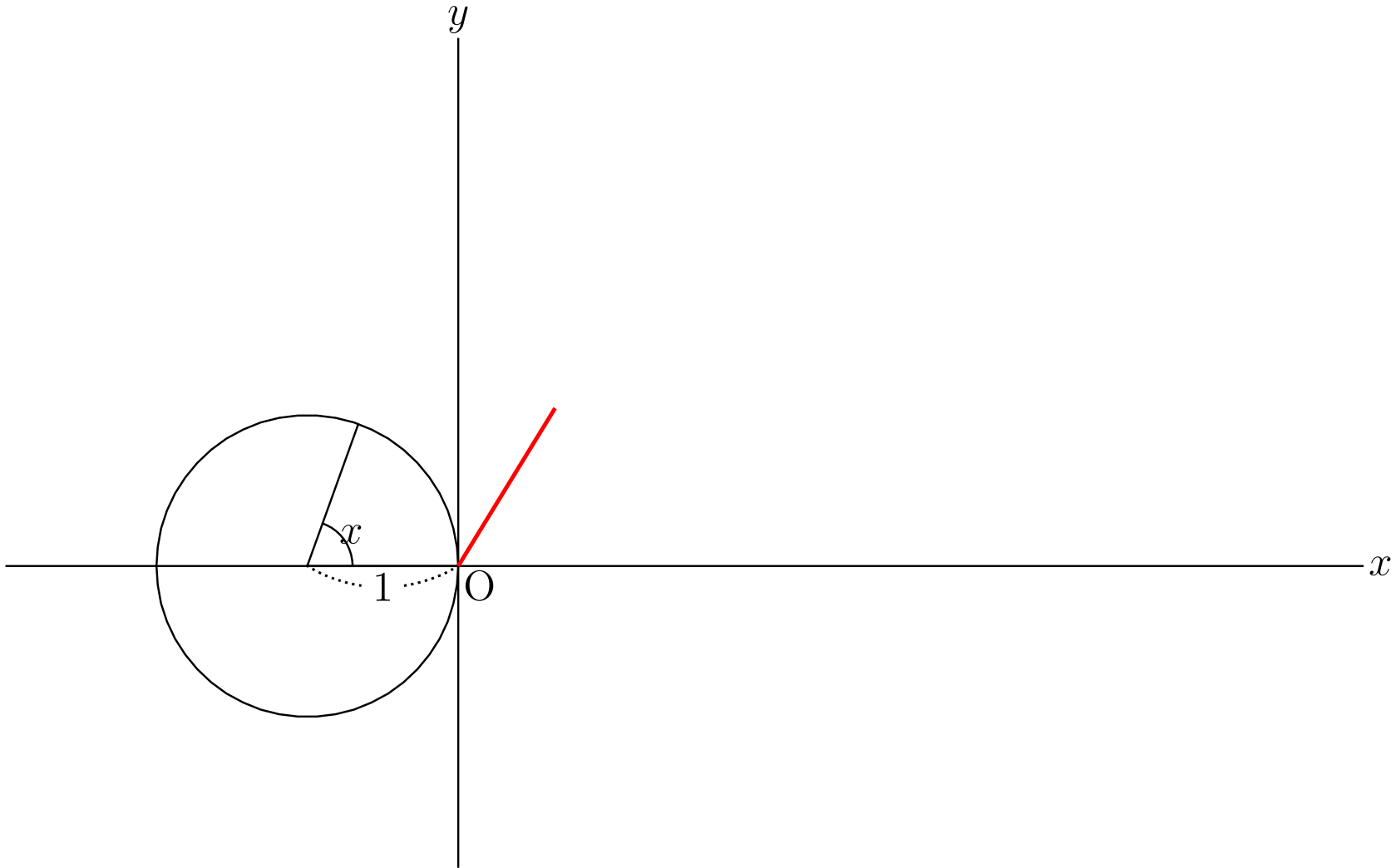
drawsine



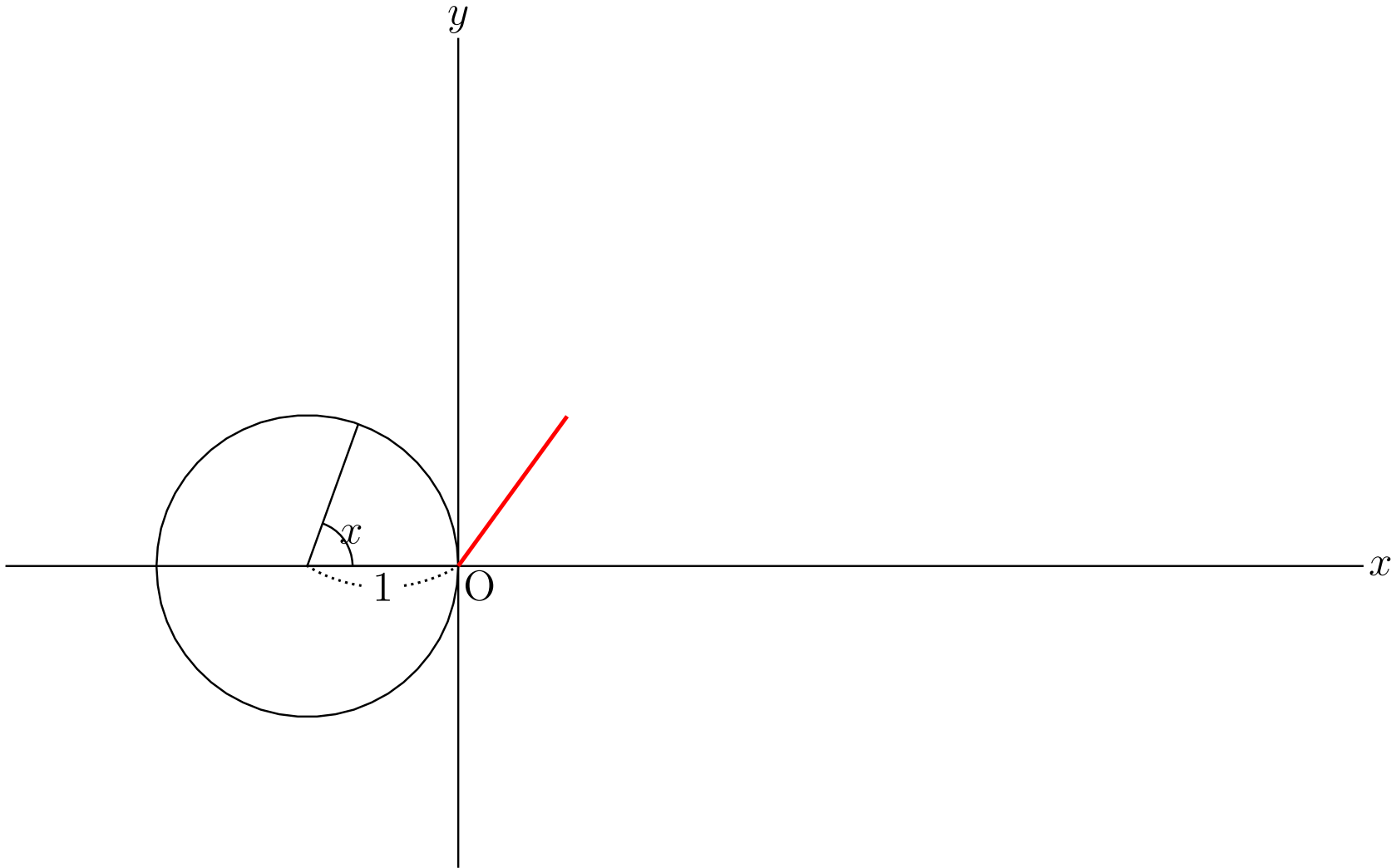
drawsine



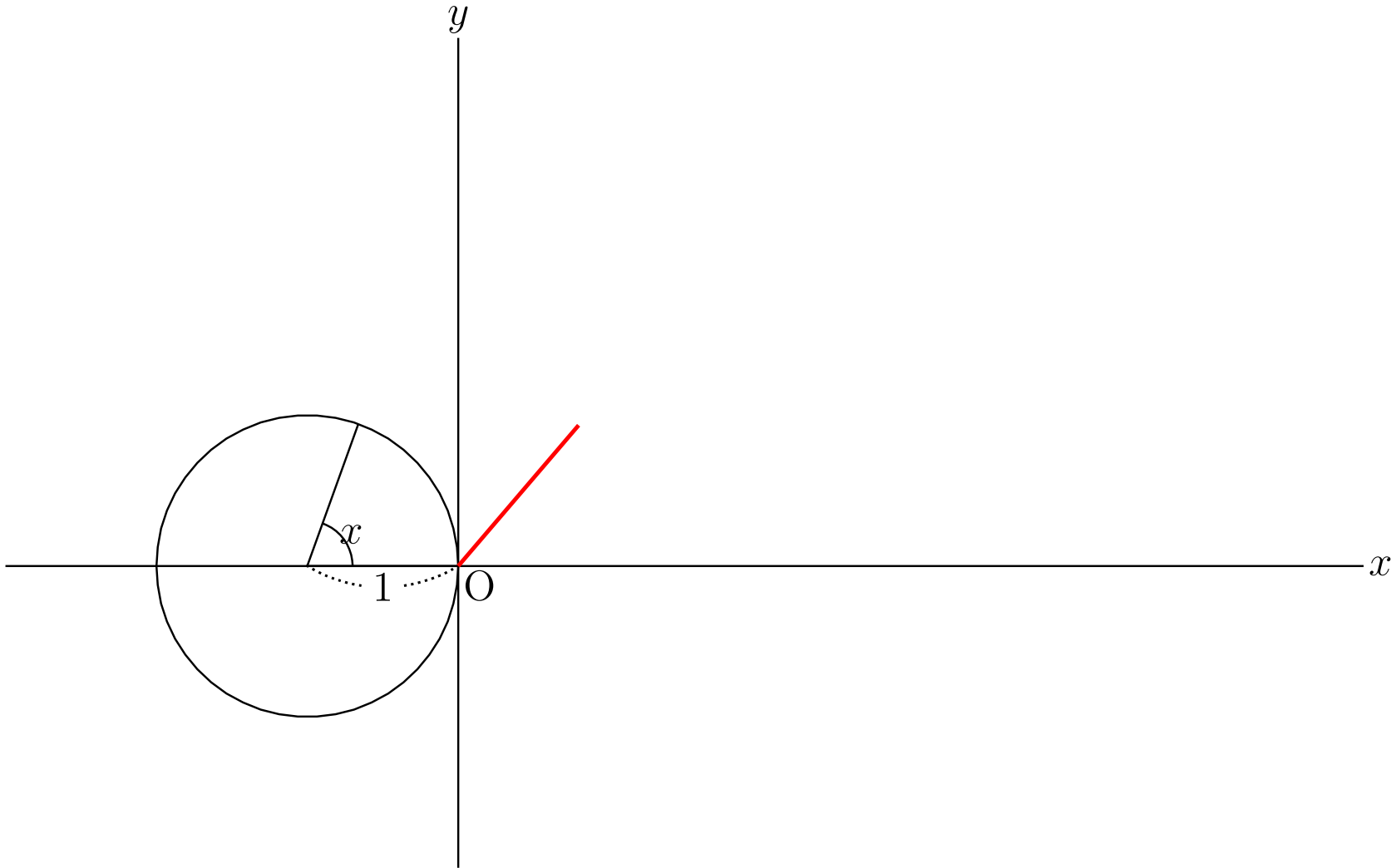
drawsine



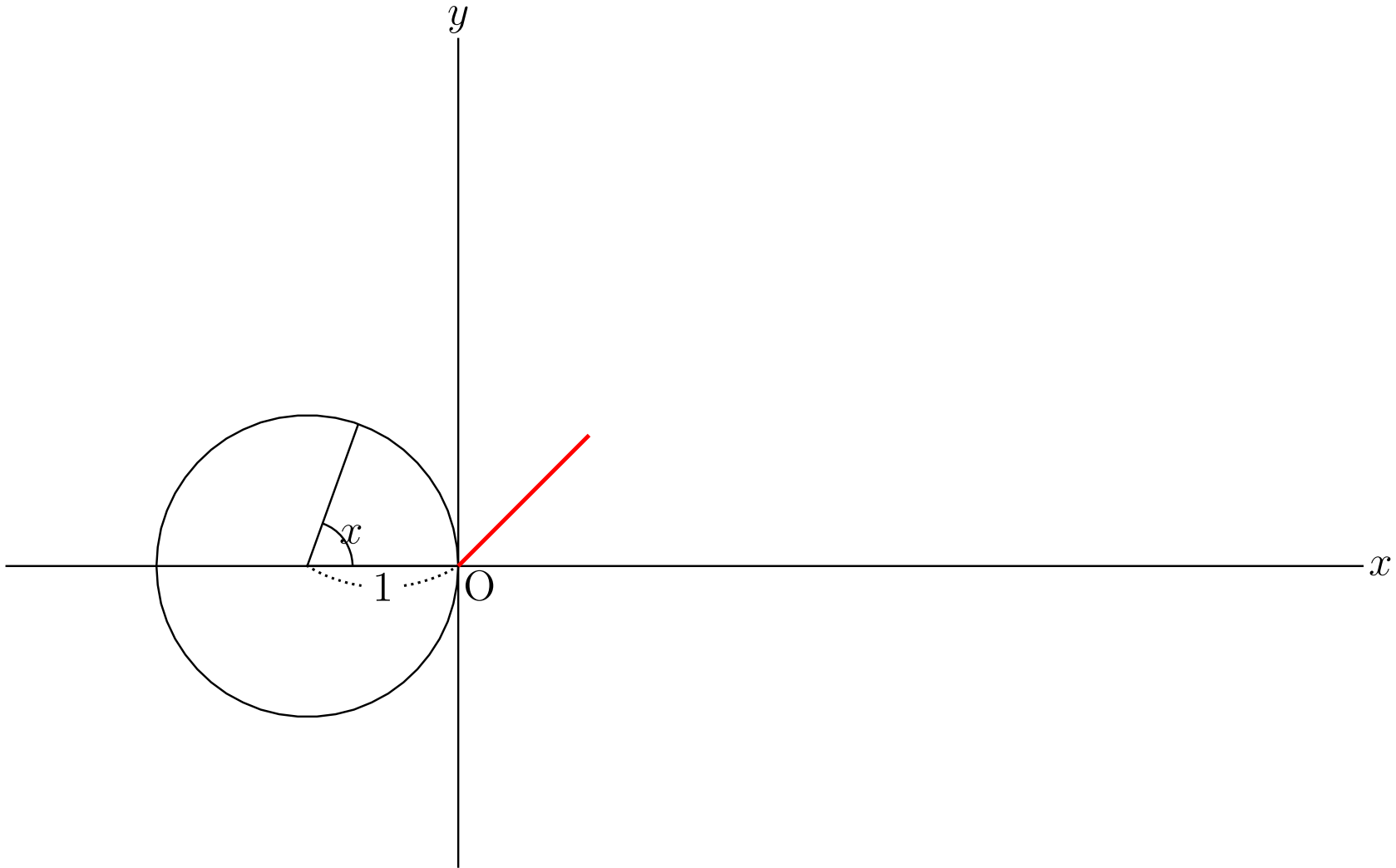
drawsine



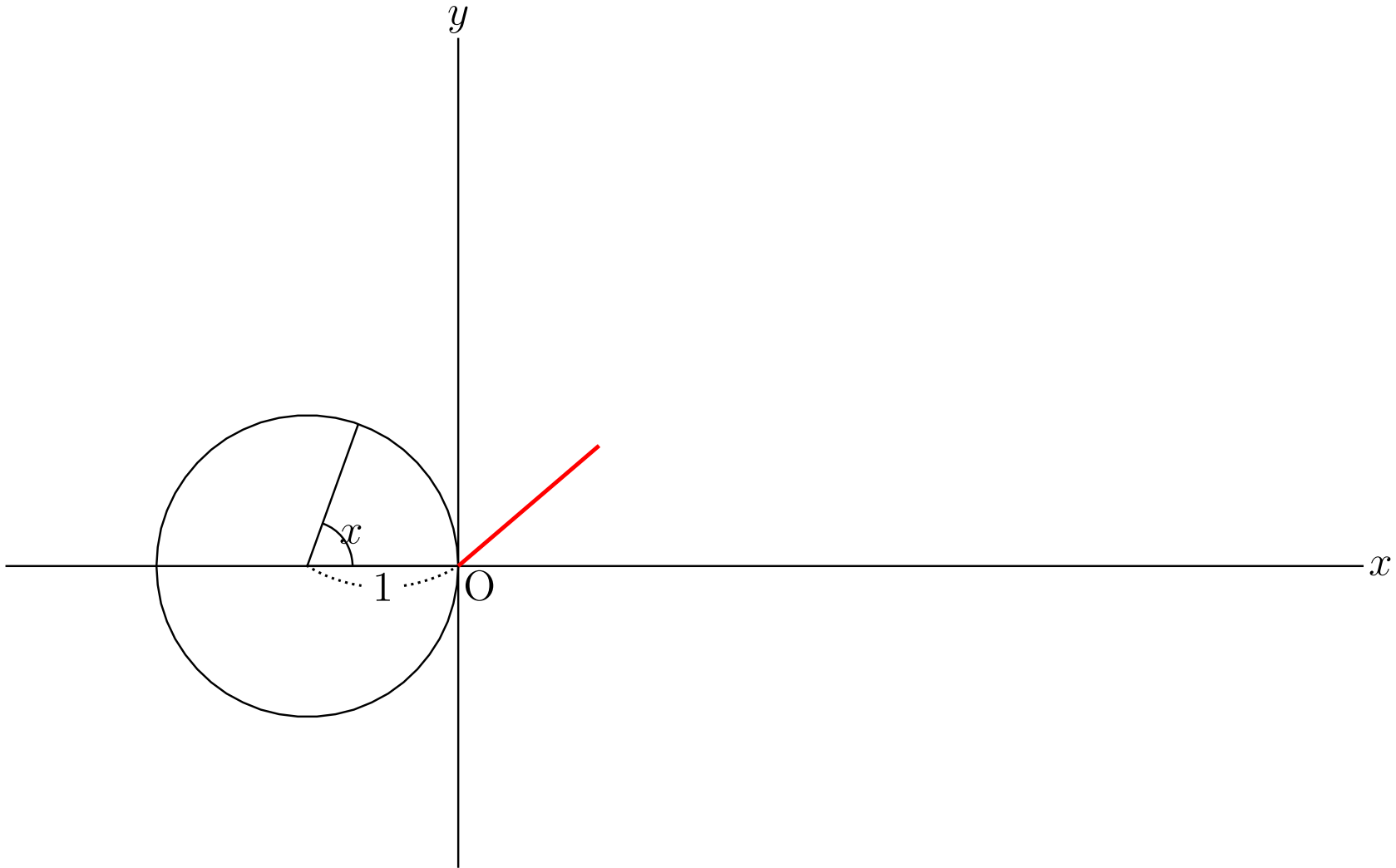
drawsine



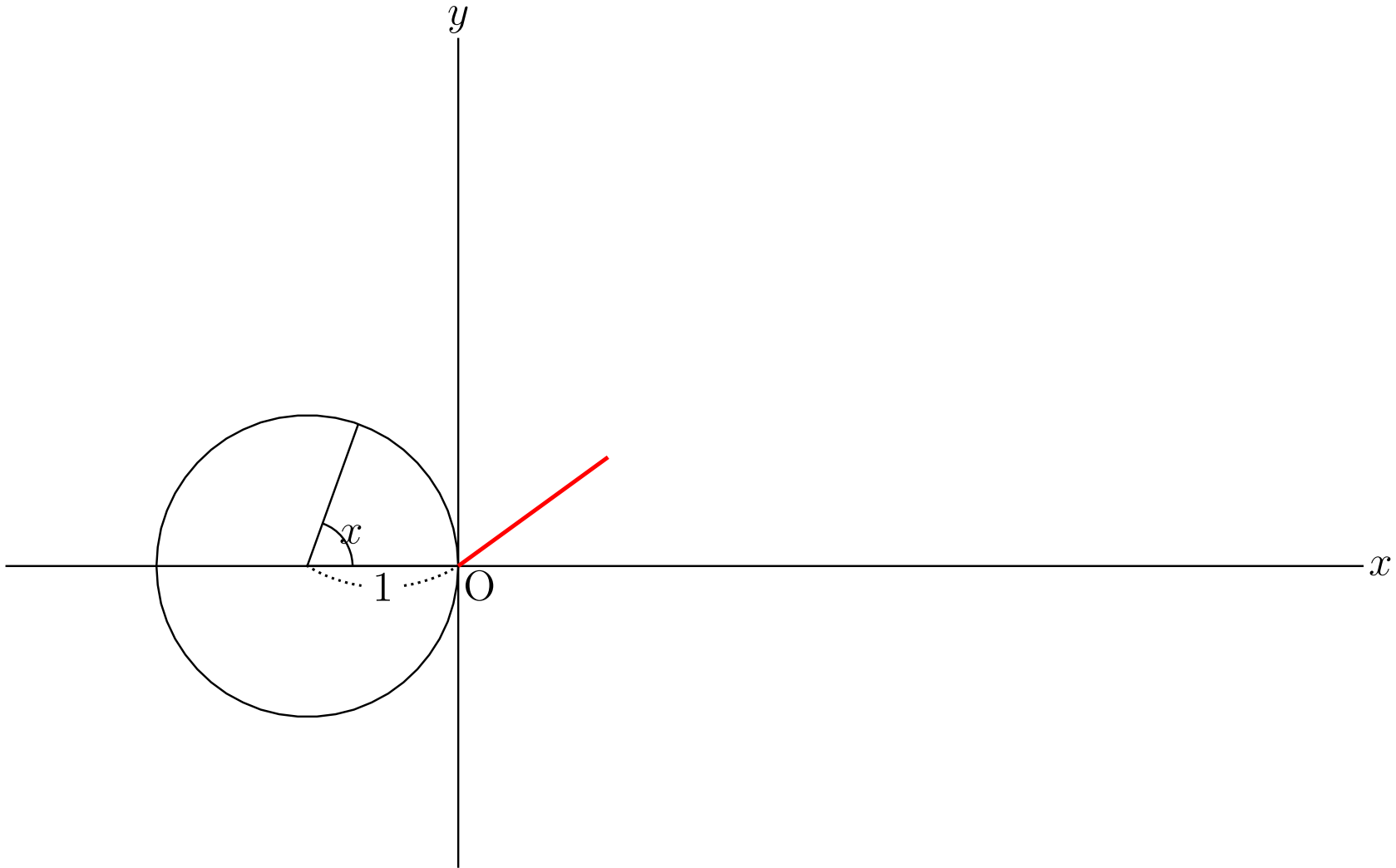
drawsine



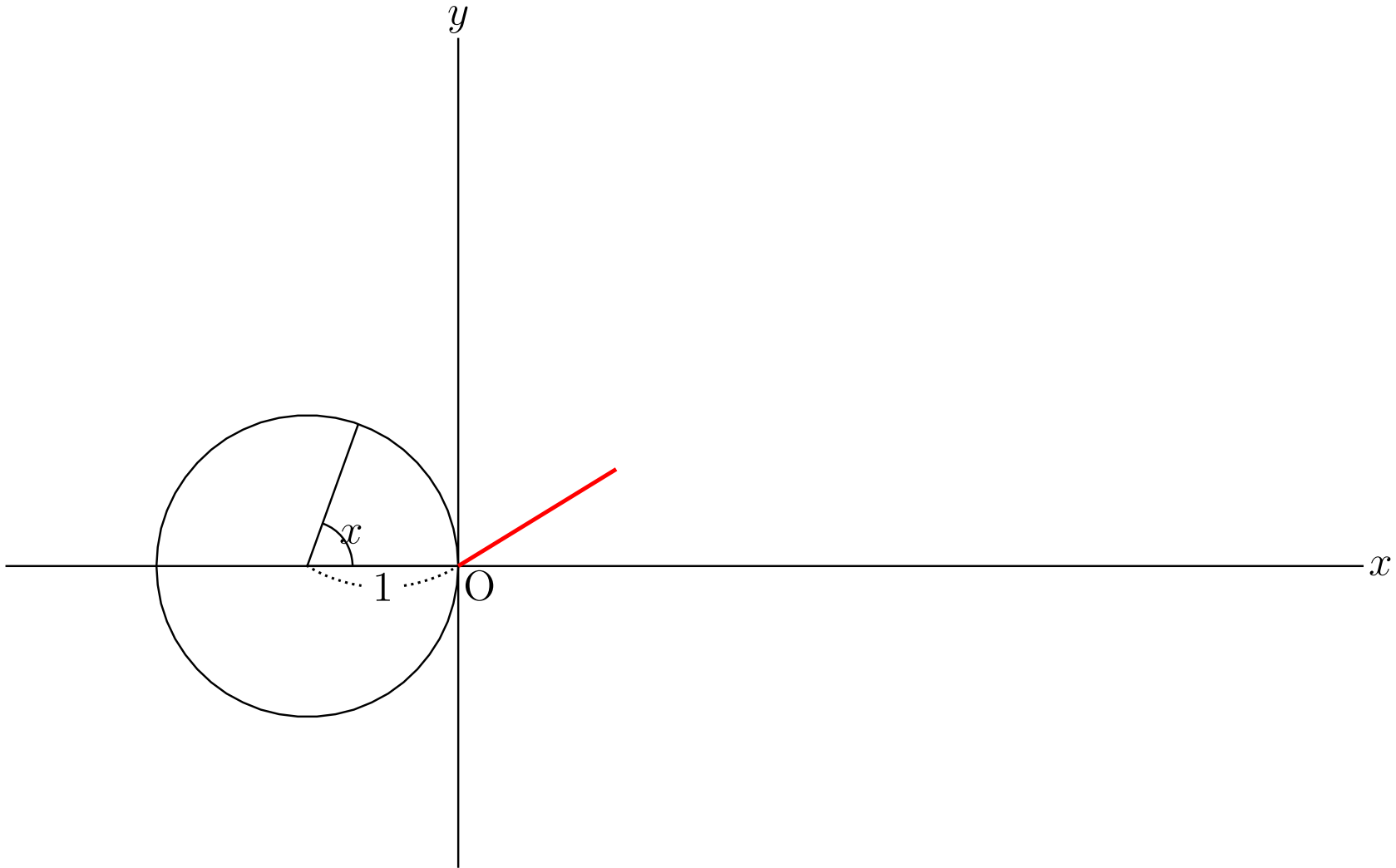
drawsine



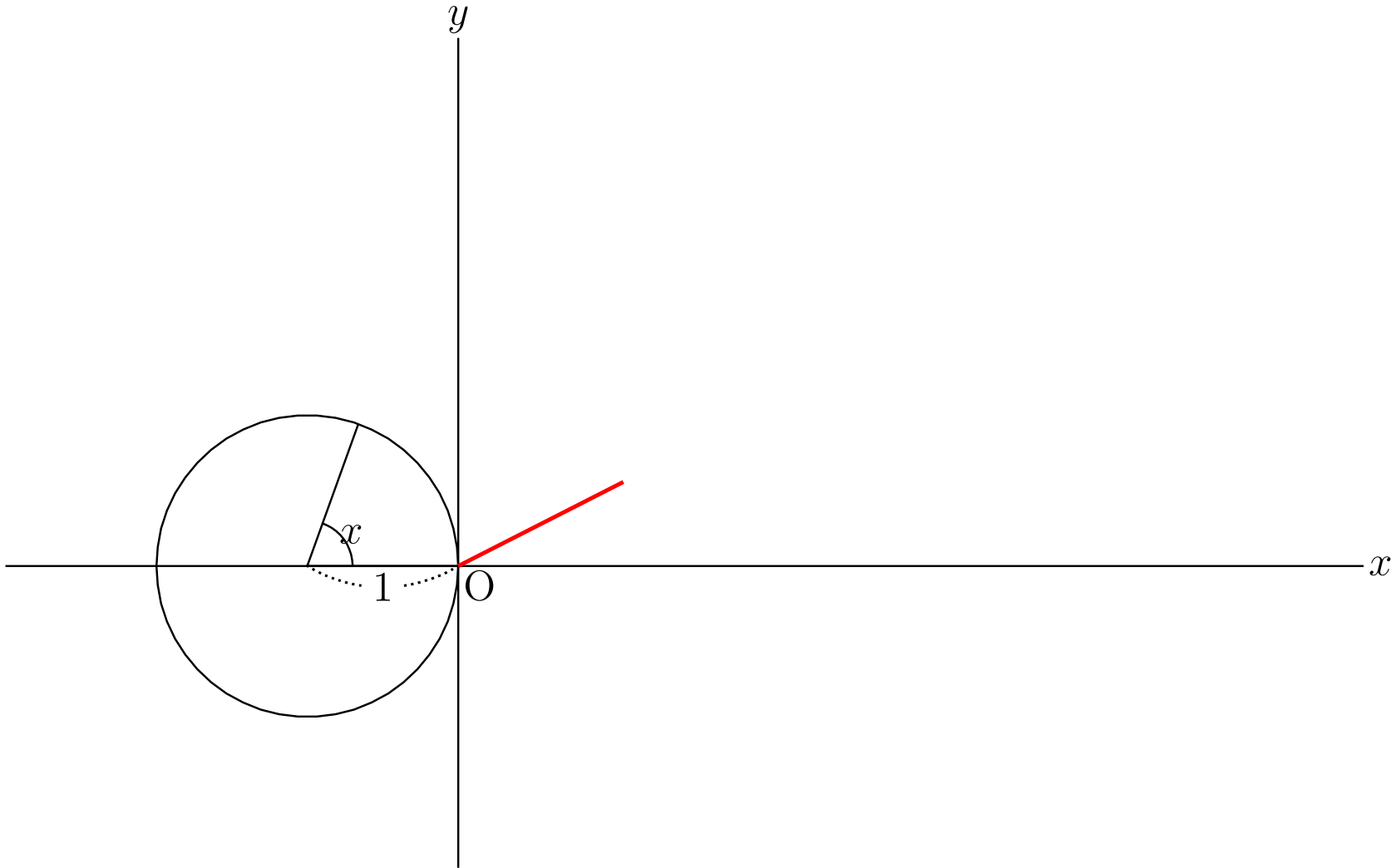
drawsine



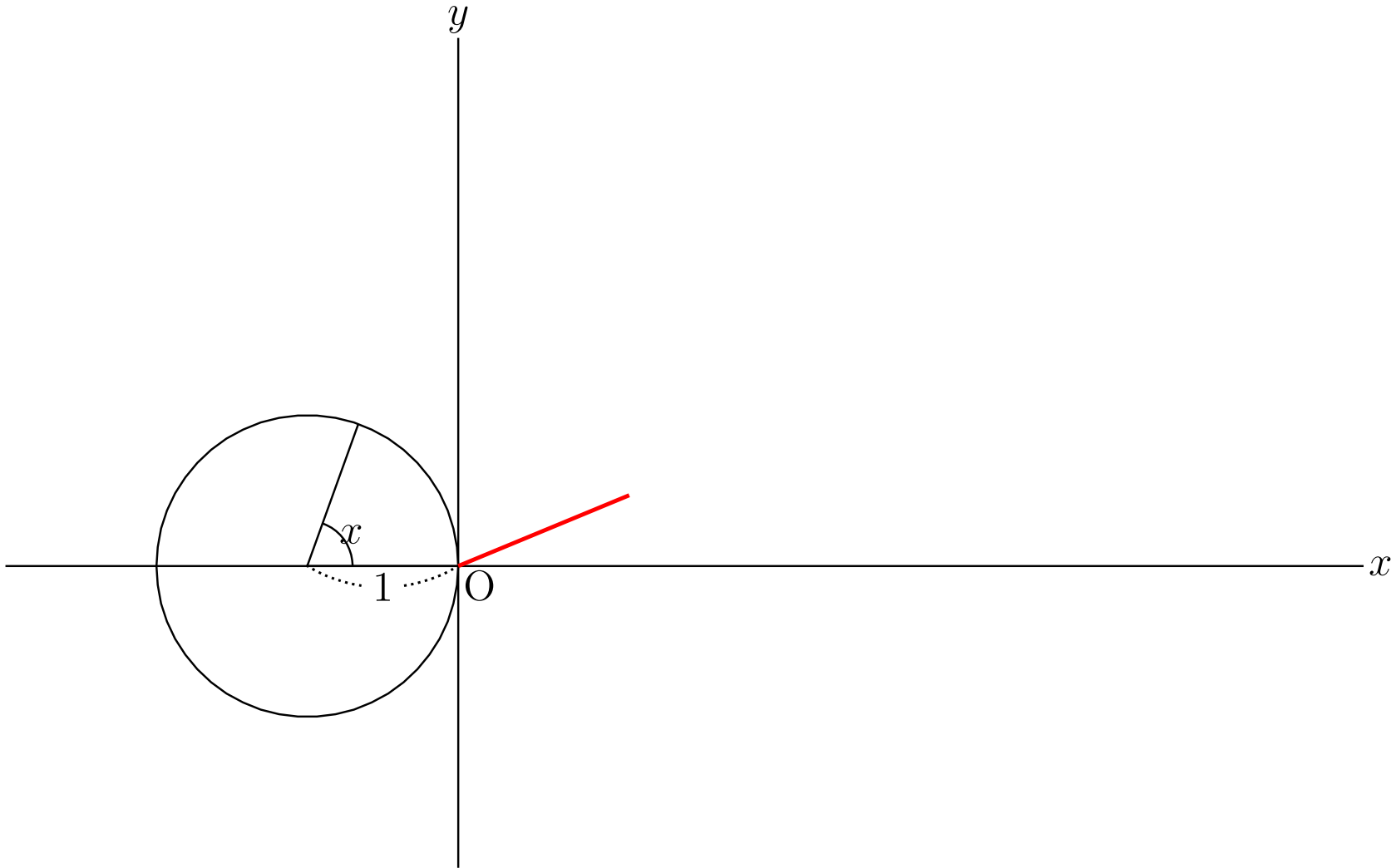
drawsine



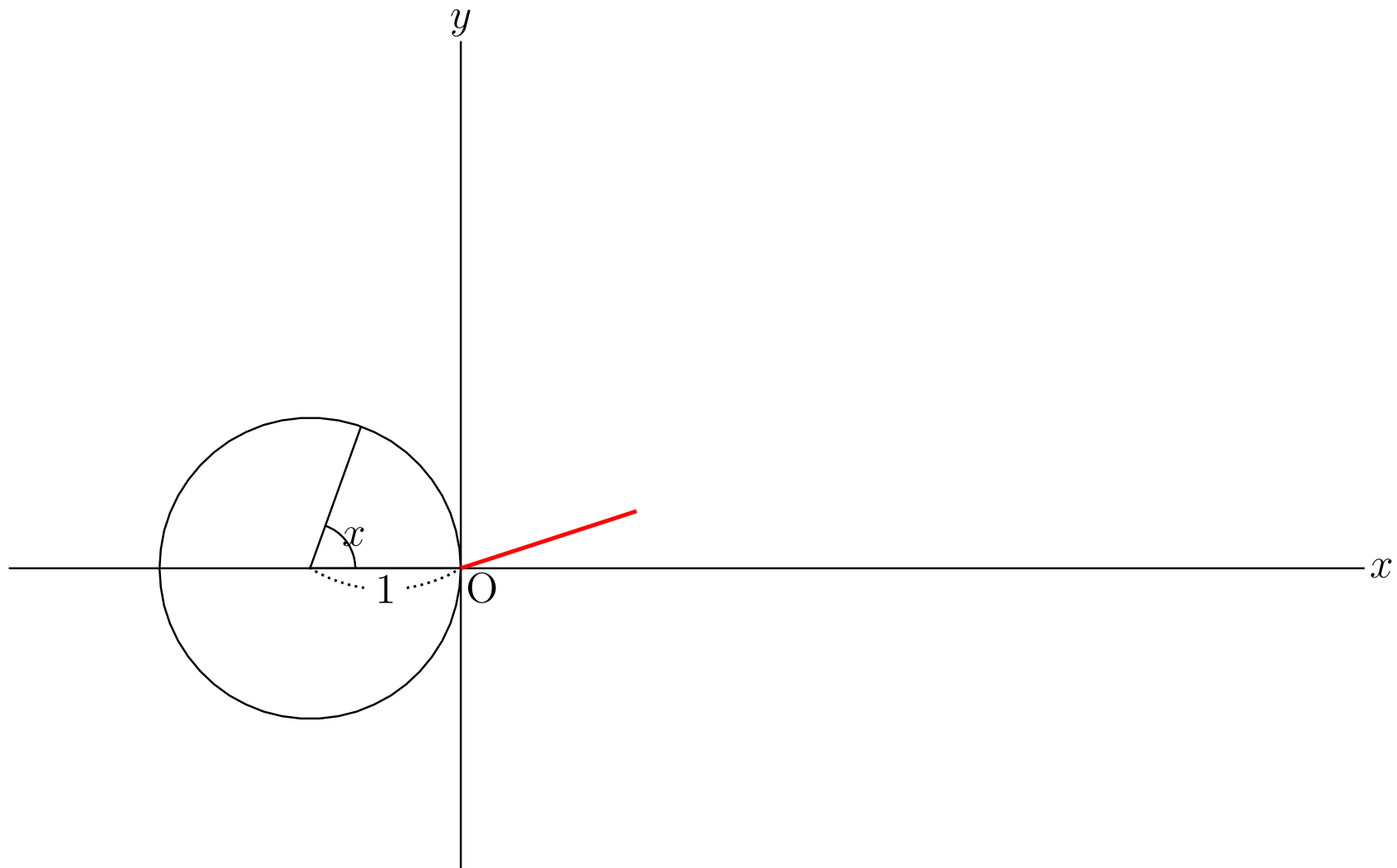
drawsine



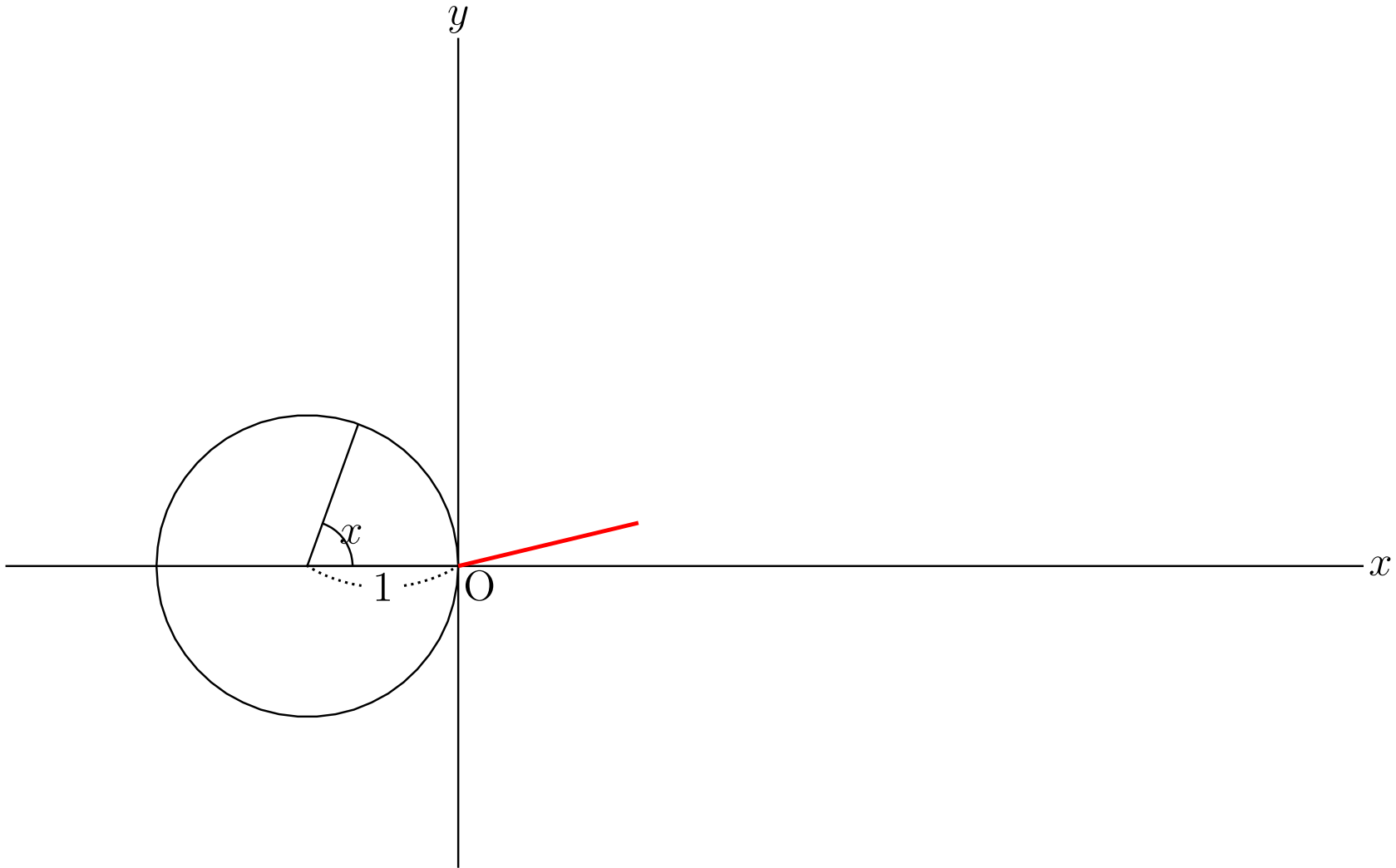
drawsine



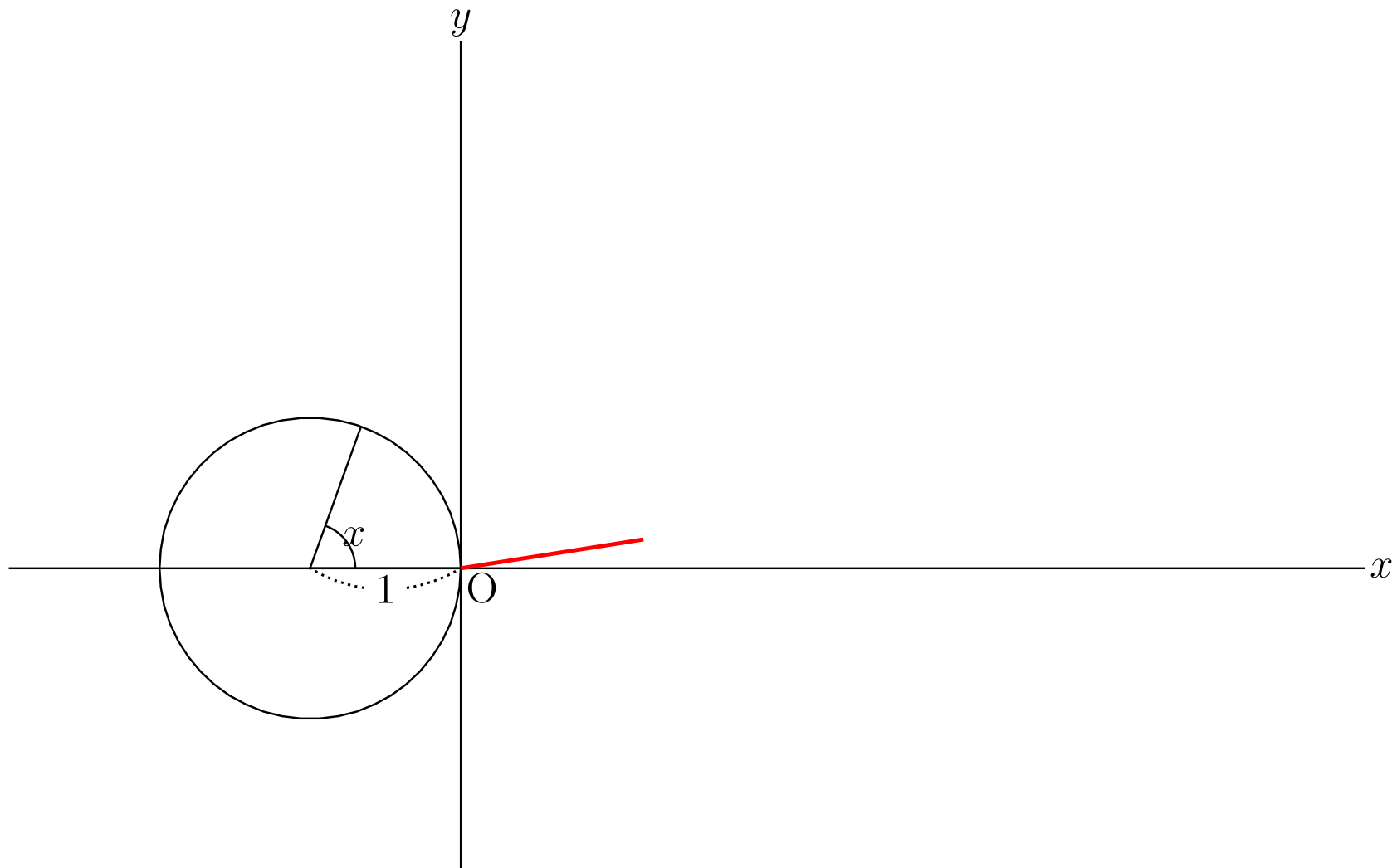
drawsine



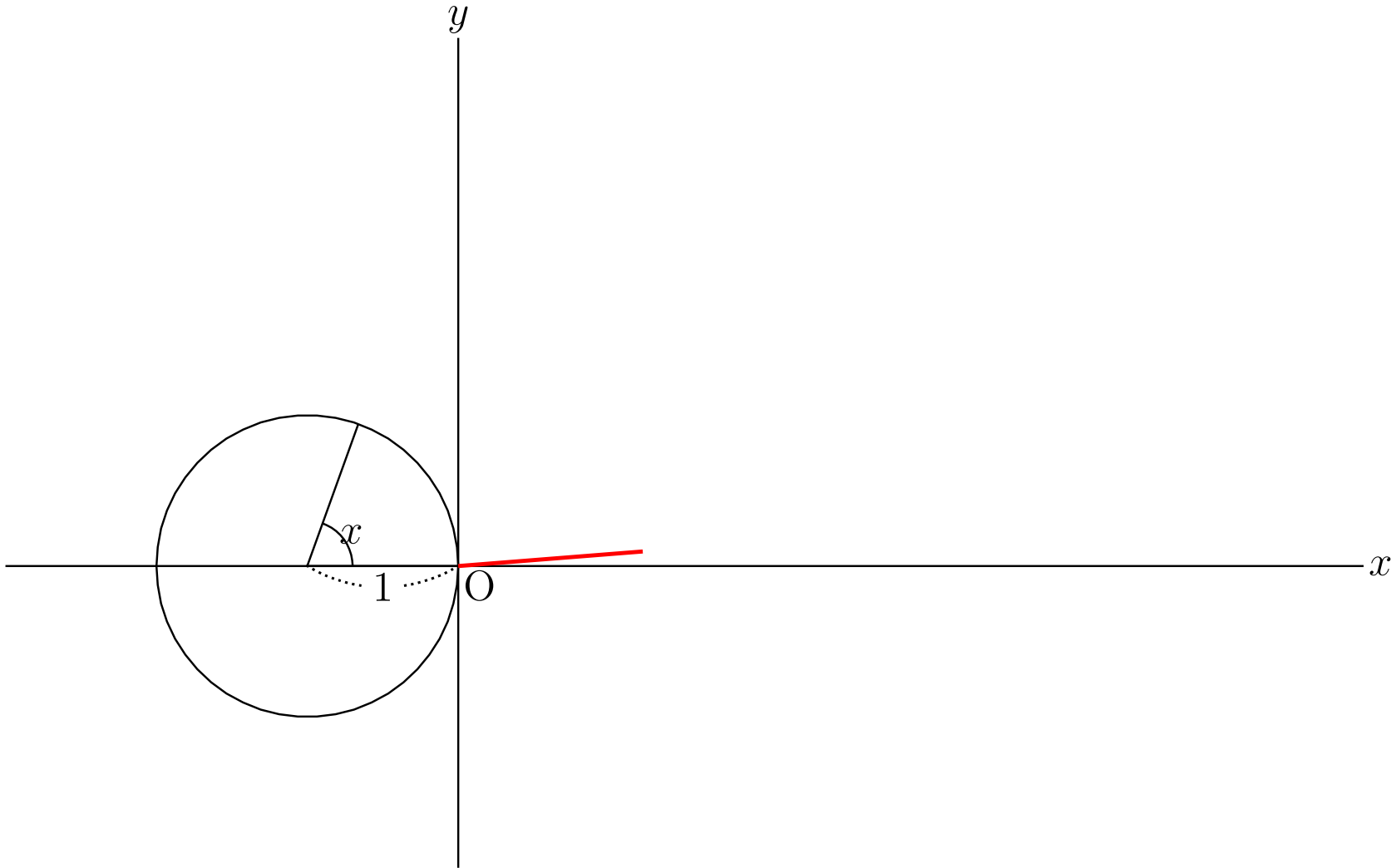
drawsine



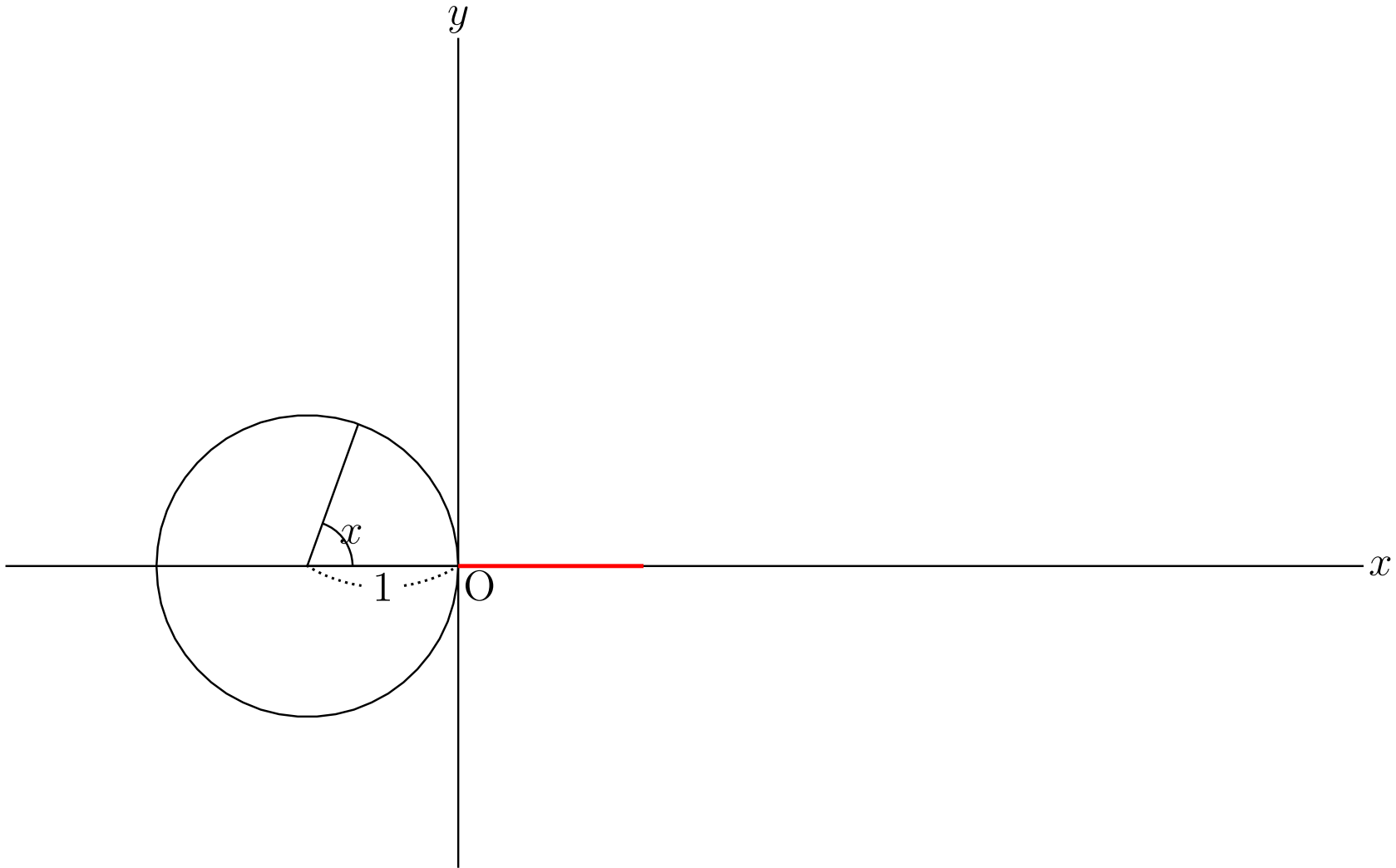
drawsine



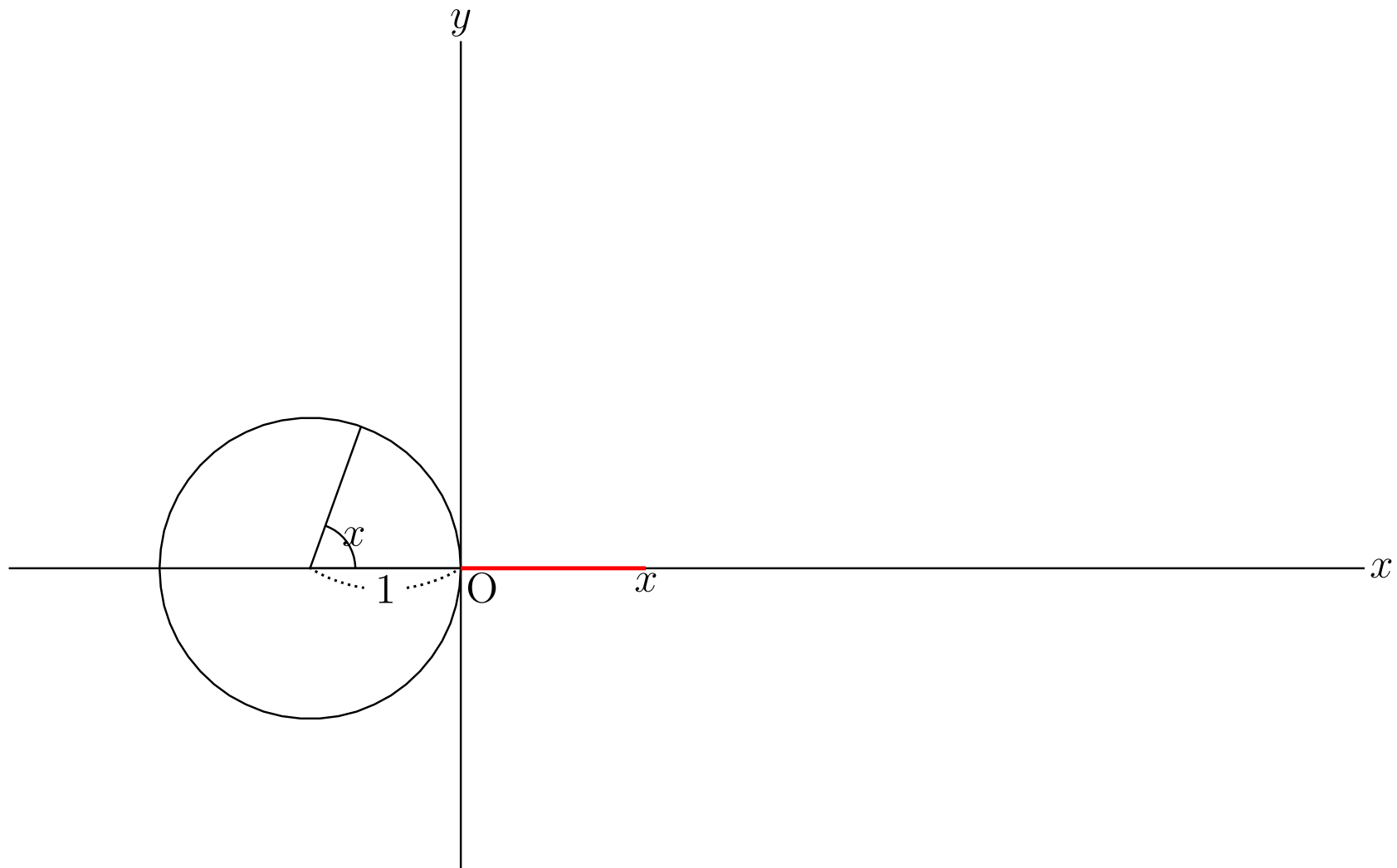
drawsine



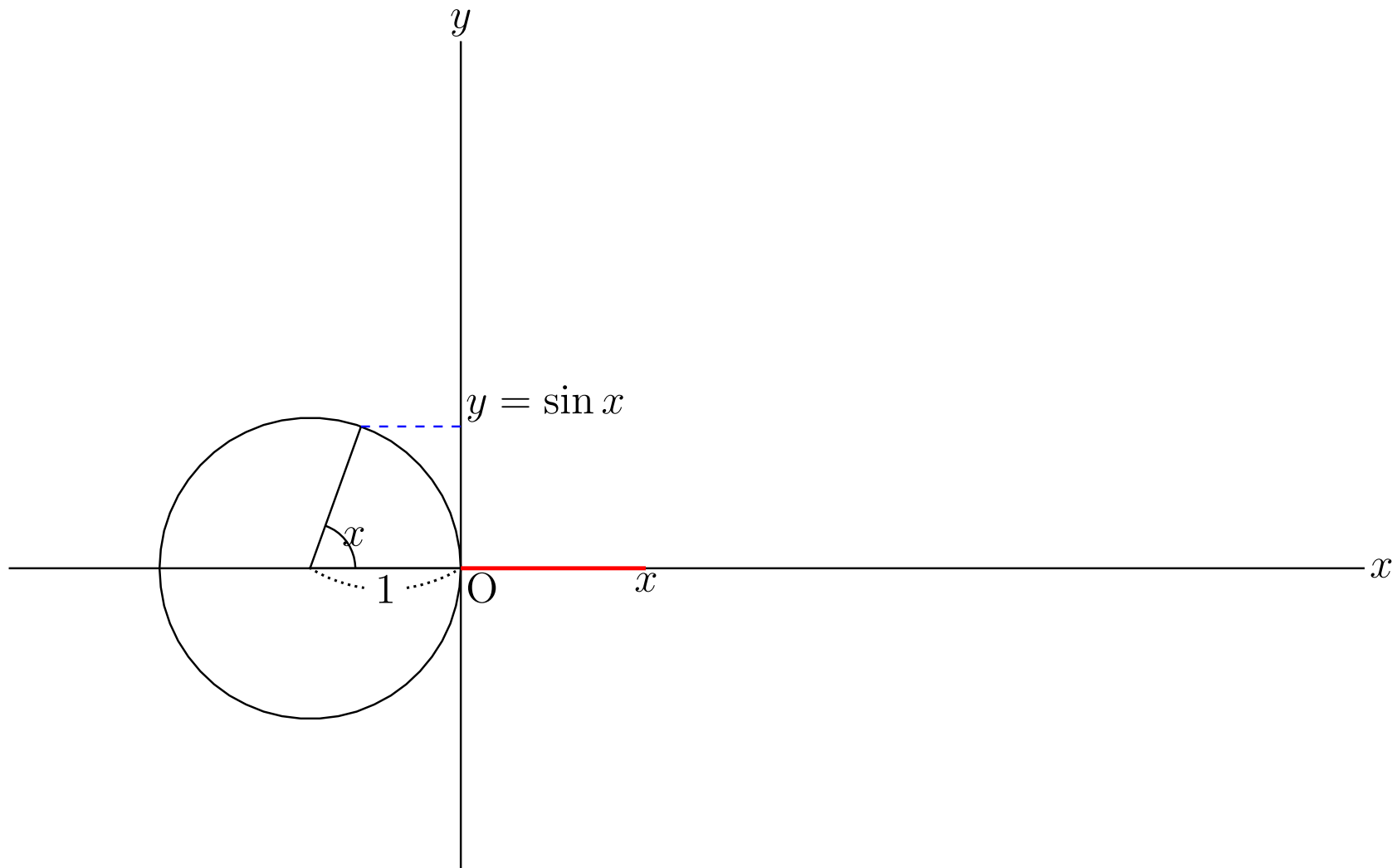
drawsine



drawsine



drawsine



drawsine

